



Z3Q2R-002

Combination Clutch-Brake

Clutch Engagement/Brake Engagement

Air / Air-spring

Facing Type

High Coefficient

Clutch Torque @ 80 PSI (max) – Dynamic

102 Pound Inches

Brake Torque @ 80 PSI (max) – Dynamic

118 Lb/In Air - 4 Lb/In Spring

Maximum RPM

1,750

INPUT SHAFT / OUTPUT SHAFT

0.500 Inches / 0.625 Inches

Air Volume New

0.36 Cubic Inches

Air Volume Worn

0.44 Cubic Inches

Finish

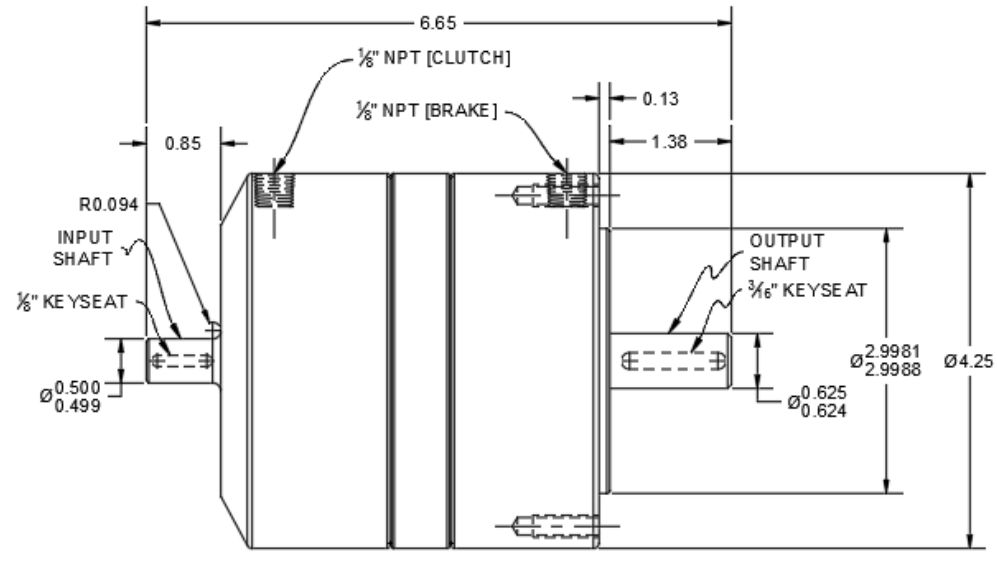
Aluminum

Open or Enclosed Construction

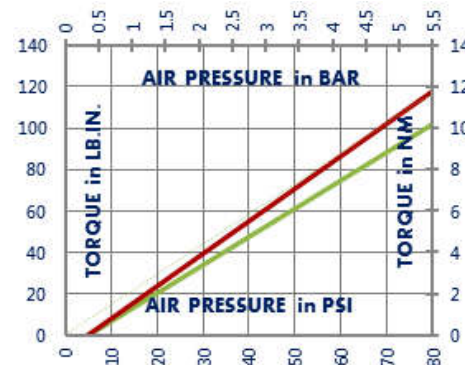
Enclosed

Shipping Weight

8 Pounds



TORQUE vs. AIR PRESSURE



NEW vs. BURNISHED TORQUE

New clutch or brake torque is approximately 40% less than rated design torque until the friction and drive discs are worn in (lapped, burnished). The length of time for wear-in to occur varies by application.

When calculating required torque always use a service factor of 1.5 to 2. It is not recommended to select a product for use at its maximum rated torque for continuous duty.

PRODUCT SELECTION

Torque capacity is only one factor to consider when making a product selection. Insure that you will have right product for the job by contacting our engineering department for application review and selection assistance.



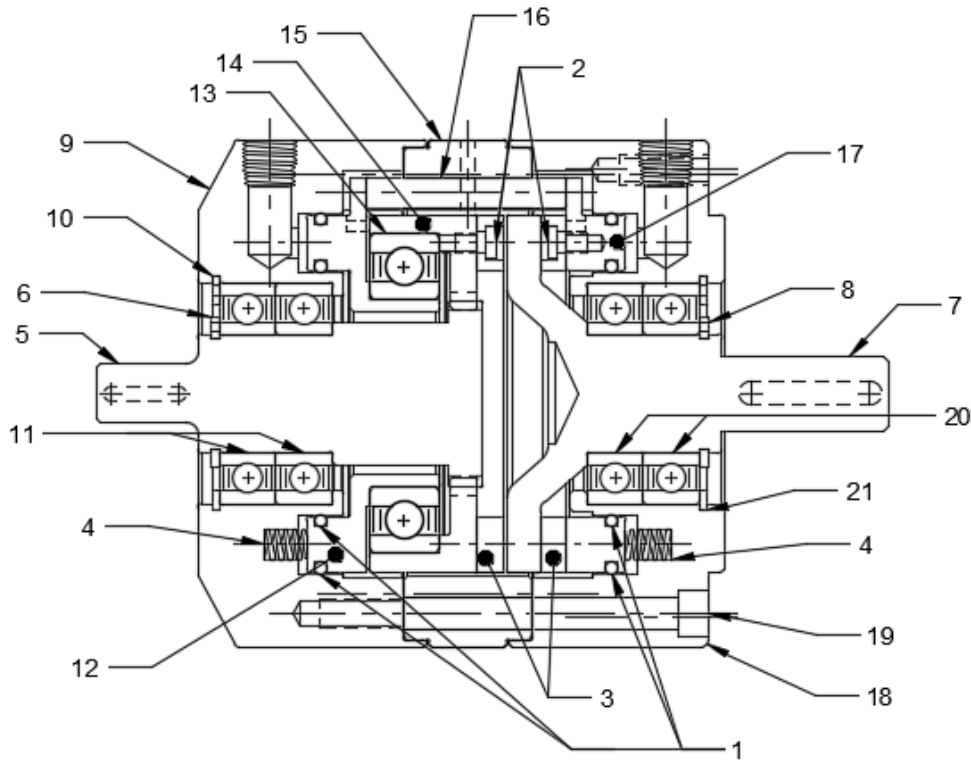
859-291-0849

engineering@machiii.com

www.machiii.com

Z3Q2R-002

Parts Diagram



REF#	DESCRIPTION & PARTS INCLUDED	QUANTITY	KIT NUMBER
	REPAIR KIT		Z3Q2R-002-RPRK
1	O-Ring	4	
2	Screw	6	
3	Friction Disc	2	
4	Coil Spring	15	
	DRIVE HUB KIT		Z3Q2R-002-HUBK
5	Drive Hub	1	
6	Retainer Ring	1	
	MALE HUB KIT		Z3Q2R-002-MHBK
7	Male Hub	1	
8	Retainer Ring	1	
	CYLINDER KIT		Z3Q2R-002-CYLK
9	Cylinder	1	
10	Retainer Ring	1	
11	Bearing	2	
	PISTON KIT		Z3Q2R-002-PSTK
12	Cone	1	
13	Bearing	1	
14	Drive Disc	1	
	SPACER KIT		Z3Q2R-002-SPCK
15	Spacer	1	
16	Pin	3	
17	PISTON	1	Z3Q2R-002-P004
	MALE ADAPTER KIT		Z3Q2R-002-MADK
18	Adapter Male	1	
19	Screw	3	
20	Bearing	2	
21	Retainer Ring	1	

PARTS KITS

The *Repair Kit* contains common wear items for this product. Users are encouraged to stock one or more repair kits considering the number of units installed and the potential downtime if machinery on which the unit is installed is critical equipment. To obtain current pricing and lead time for parts kits, contact customer service.

orders@machiii.com

ADDITIONAL PRODUCT INFORMATION

Click on the links below or copy and paste into your web browser.

To view the Installation & Maintenance Manual for this product:

http://www.machiii.com/PDF/Product-Manuals/CLUTCHBR_AIR_SHAFT_BALLBRG_MANUAL.pdf

For information about the application and use of this and other Mach III products:

<http://machiii.com/Application/Default.asp>



859-291-0849

engineering@machiii.com

www.machiii.com