



## VBR1K-002

Torque Limiter Mechanism with Adapter

Momentary Overload Protection

Mechanism *DOES NOT* support Adapter

### Engagement/Disengagement

Spring/None

### Facing Type

High Coefficient

**Factory Torque Setting +/-10%  
(Spring Compression ≈ 12%)**

6,500 Pound Inches

### Maximum RPM

1,200

### Drive Pilot Diameter / Bolt Circle

4.13 / 4.75

### Finish

Steel

### Open or Enclosed Construction

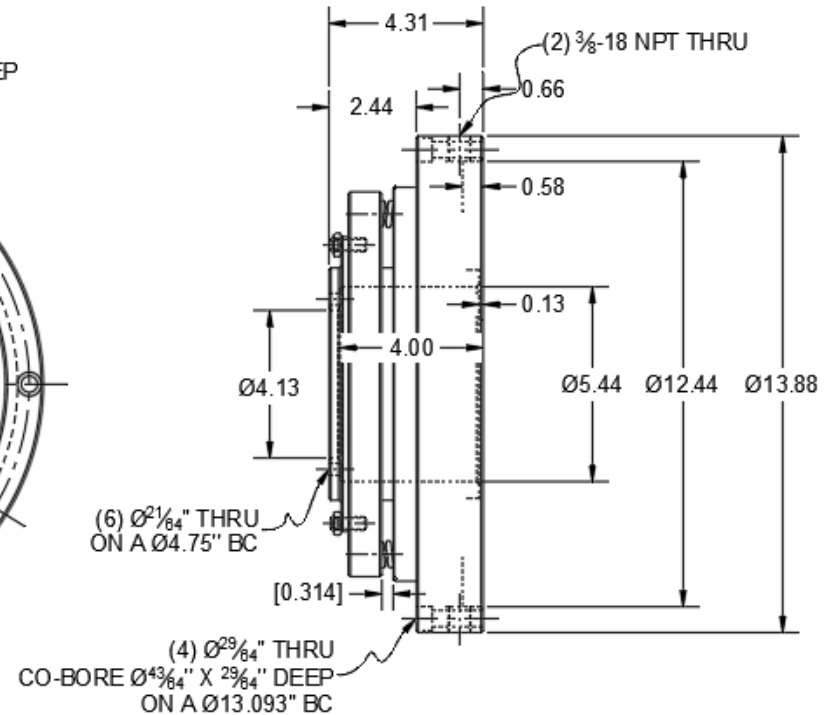
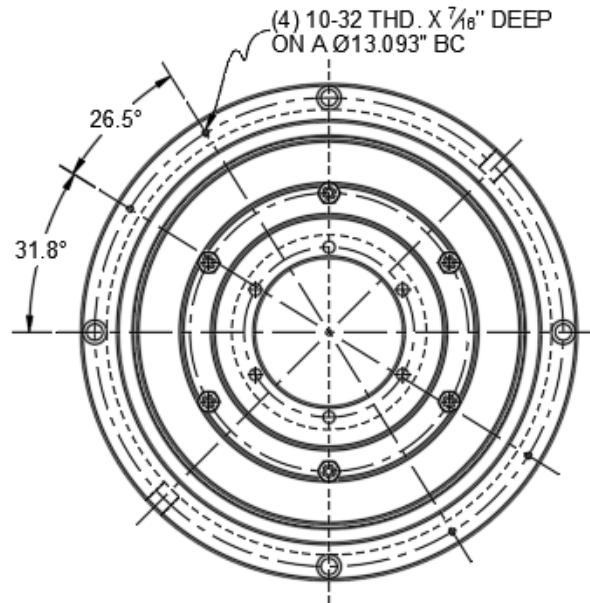
Open

### Adapter Mounting Bolt Circle

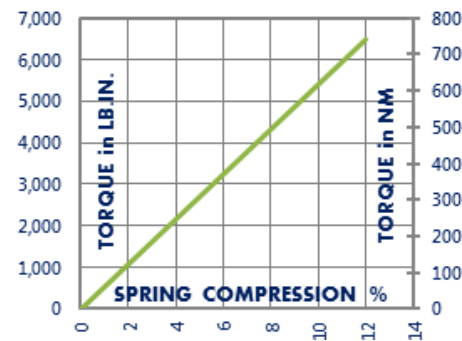
13.093 Inches

### Shipping Weight

25 Pounds



### TORQUE vs. SPRING PRESSURE



### NEW vs. BURNISHED TORQUE

New clutch or brake torque is approximately 40% less than rated design torque until the friction and drive discs are worn in (lapped, burnished). The length of time for wear-in to occur varies by application.

When calculating required torque always use a service factor of 1.5 to 2. It is not recommended to select a product for use at its maximum rated torque for continuous duty.

### PRODUCT SELECTION

Torque capacity is only one factor to consider when making a product selection. Insure that you will have right product for the job by contacting our engineering department for application review and selection assistance.



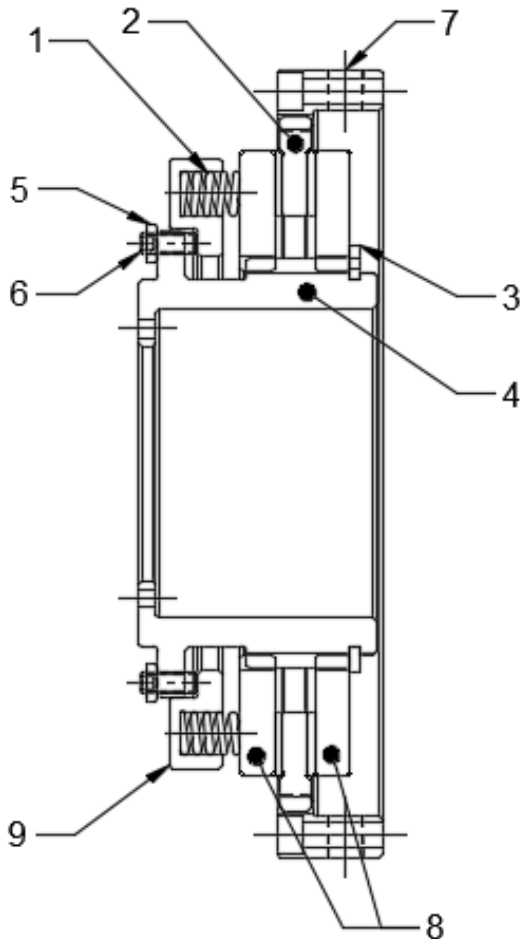
859-291-0849

engineering@machiii.com

www.machiii.com

# VBR1K-002

## Parts Diagram



REF#	DESCRIPTION & PARTS INCLUDED	QUANTITY	KIT NUMBER
	<b>REPAIR KIT</b>		<b>VBR1K-002-RPRK</b>
1	Coil Spring	21	
2	Bonded Friction / Drive Disc	1	
	<b>DRIVE HUB KIT</b>		<b>VBR1K-002-HUBK</b>
3	Retainer Ring	1	
4	Drive Hub	1	
5	Jam Nut	6	
6	Oval Point Set Screw	6	
7	RING GEAR	1	VBR1K-001-P032
	<b>DRIVE DISC KIT</b>		<b>VBR1K-002-DRDK</b>
8	Drive Disc	2	
	<b>FACING KIT</b>		<b>VBR1K-002-FCGK</b>
2	Bonded Friction / Drive Disc	1	
9	SPRING RETAINER	1	VBR1K-001-P039

### PARTS KITS

The *Repair Kit* contains common wear items for this product. Users are encouraged to stock one or more repair kits considering the number of units installed and the potential downtime if machinery on which the unit is installed is critical equipment. To obtain current pricing and lead time for parts kits, contact customer service.

[orders@machiii.com](mailto:orders@machiii.com)

### ADDITIONAL PRODUCT INFORMATION

Click on the links below or copy and paste into your web browser.

Contact Mach III Engineering for Installation & Maintenance Manual for this product:  
[engineering@machiii.com](mailto:engineering@machiii.com)

For information about the application and use of this and other Mach III products:  
<http://machiii.com/Application/Default.asp>



859-291-0849

[engineering@machiii.com](mailto:engineering@machiii.com)

[www.machiii.com](http://www.machiii.com)