

Friction Torque Limiter - Motor Frame C-face Mount



T8C3K-001

Momentary Overload Protection

Engagement/Disengagement

Spring/None

Facing Type

High Coefficient

Minimum Torque Setting

850 Pound Inches

Maximum Torque Setting (Spring Compression ≈ 23%)

18,440 Pound Inches

Maximum RPM

1,325

Input Bore/Output Shaft

55mm [2.165] Inches

Finish

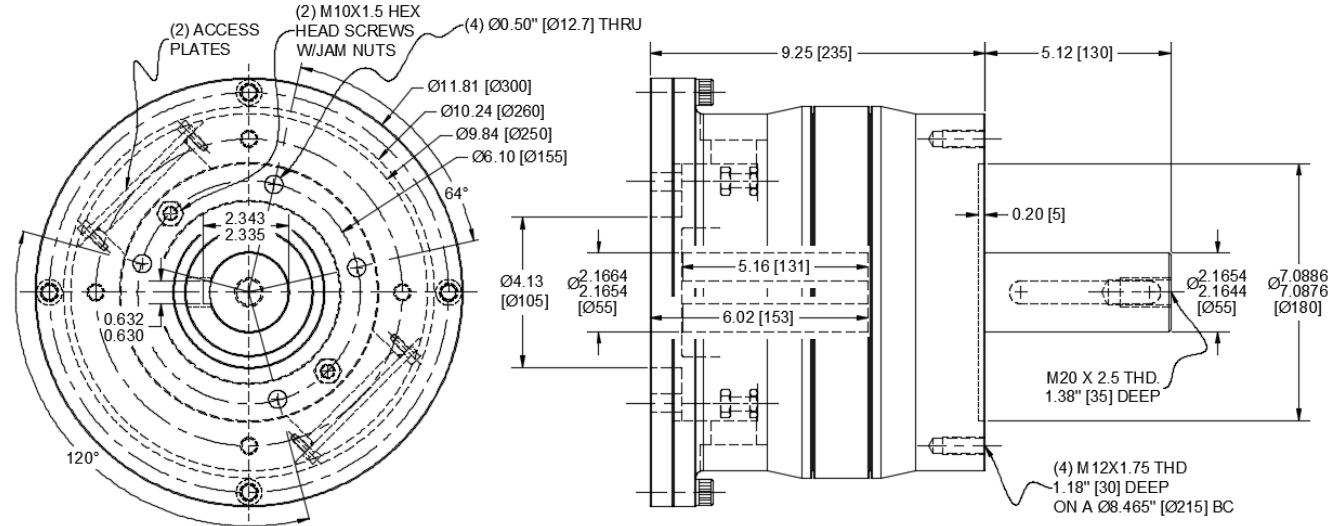
Steel

Open or Enclosed Construction

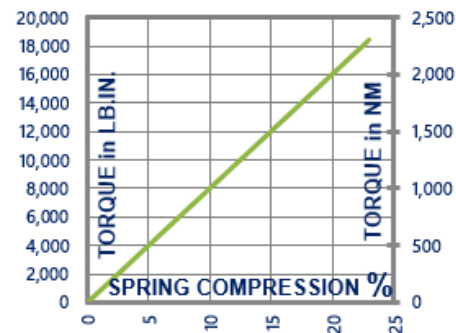
Enclosed

Shipping Weight

166 Pounds



TORQUE vs. SPRING PRESSURE



NEW vs. BURNISHED TORQUE

New clutch or brake torque is approximately 40% less than rated design torque until the friction and drive discs are worn in (lapped, burnished). The length of time for wear-in to occur varies by application.

When calculating required torque always use a service factor of 1.5 to 2. It is not recommended to select a product for use at its maximum rated torque for continuous duty.

PRODUCT SELECTION

Torque capacity is only one factor to consider when making a product selection. Insure that you will have right product for the job by contacting our engineering department for application review and selection assistance.



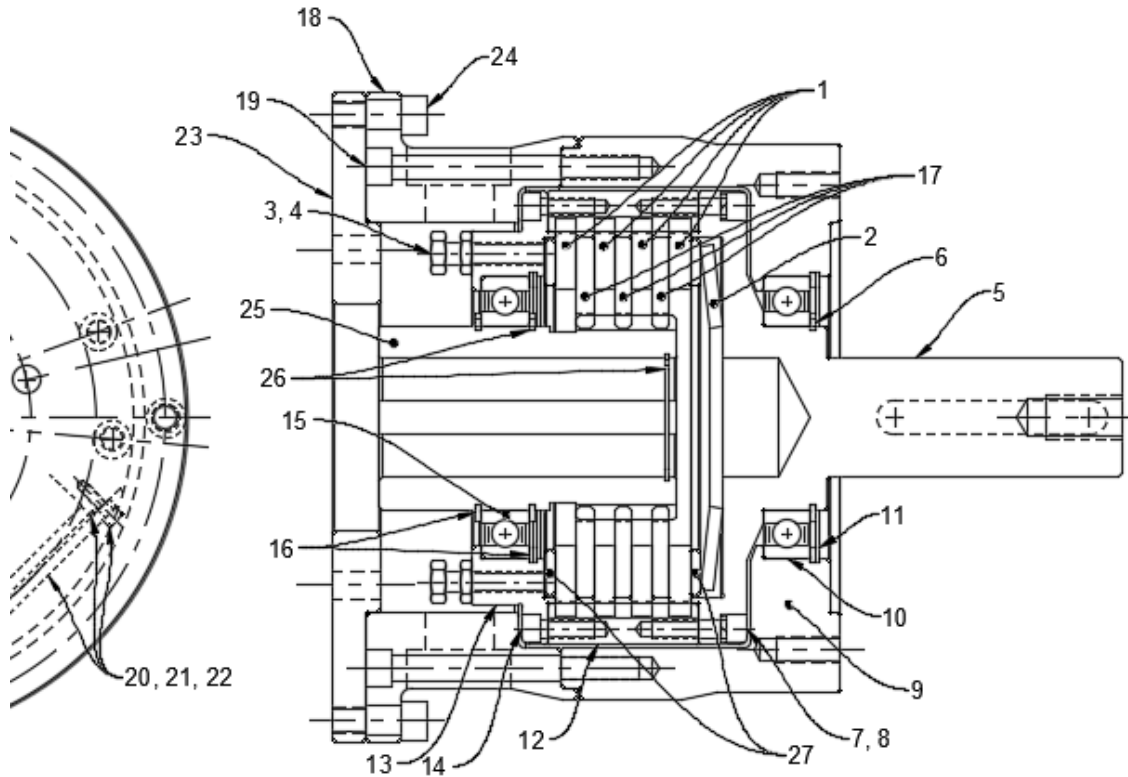
859-291-0849

engineering@machiii.com

www.machiii.com

T8C3K-001

Parts Diagram



REF#	DESCRIPTION & PARTS INCLUDED	QUANTITY	KIT NUMBER
	REPAIR KIT		T8C3K-001-RPRK
1	Friction Disc	4	
2	Disc Spring	1	
3	Adjustment Screw	2	
4	Jam Nut	2	
	DRIVE HUB KIT		T8C3K-001-HUBK
5	Drive Hub	1	
6	Retainer Ring	1	
7	Cap Screw	10	
8	Lock Washer	10	
	ADAPTER-FEMALE KIT		T8C3K-001-FADK
9	Adapter-Female	1	
10	Bearing	1	
11	Retainer Ring	1	
	ADAPTER-MALE KIT		T8C3K-001-MADK
12	Ring Gear	1	
13	Adapter-Male	1	
14	Cap Screw	10	
15	Bearing	1	
16	Retainer Ring	2	
	DRIVE DISC KIT		T8C3K-001-DRDK
17	Drive Disc	3	
	FACING KIT		T8C3K-001-FCGK
1	Friction Disc	4	
	ADAPTER KIT		T8C3K-001-ADPK
18	Adapter	1	
19	Cap Screw	8	
20	Cover Plate	2	
21	Cap Screw	4	
22	O-ring	2	
	MOUNTING PLATE KIT		T8C3K-001-MTGK
23	Mounting Plate	1	
24	Cap Screw	4	
	FEMALE HUB KIT		T8C3K-001-FHBK
25	Female Hub	1	
26	Retainer Ring	2	
	SPACER KIT		T8C3K-001-SPCK
27	Spacer	2	

PARTS KITS

The *Repair Kit* contains common wear items for this product. Users are encouraged to stock one or more repair kits considering the number of units installed and the potential downtime if machinery on which the unit is installed is critical equipment. To obtain current pricing and lead time for parts kits, contact customer service.

orders@machiii.com

For information about the application and use of other Mach III products:

<http://machiii.com/Application/Default.asp>



859-291-0849

engineering@machiii.com

www.machiii.com