

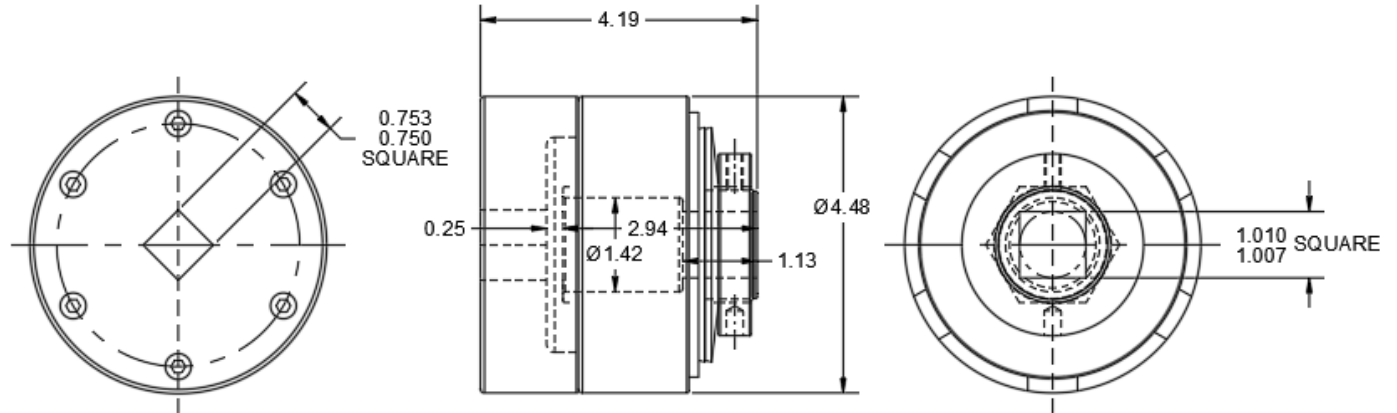


T4Q2H-001

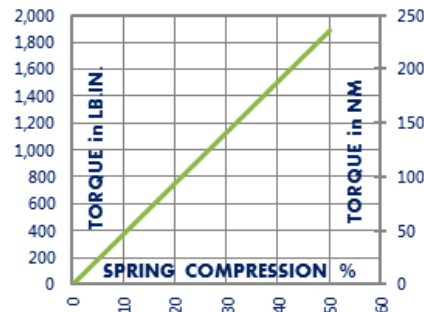
Stainless Steel Torque Limiter with Square Input

Momentary Overload Protection

Engagement/Disengagement	Spring/None
Facing Type	Low Coefficient
Factory Torque Setting	1,800 Pound Inches
Maximum RPM	1,750
Square Input / Output Bore	0.75 Inch / 1.00 Inch
Finish	Stainless Steel
Open or Enclosed Construction	Open
Shipping Weight	12 Pounds



TORQUE vs. SPRING PRESSURE



NEW vs. BURNISHED TORQUE

New clutch or brake torque is approximately 40% less than rated design torque until the friction and drive discs are worn in (lapped, burnished). The length of time for wear-in to occur varies by application.

When calculating required torque always use a service factor of 1.5 to 2. It is not recommended to select a product for use at its maximum rated torque for continuous duty.

PRODUCT SELECTION

Torque capacity is only one factor to consider when making a product selection. Insure that you will have right product for the job by contacting our engineering department for application review and selection assistance.



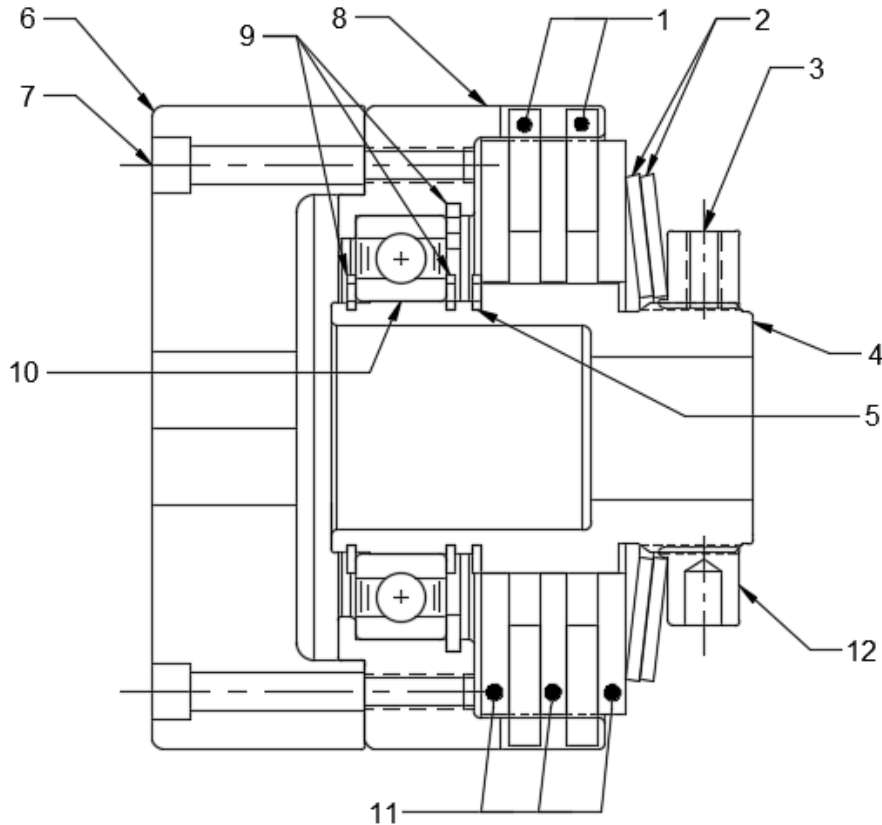
859-291-0849

engineering@machiii.com

www.machiii.com

T4Q2H-001

Parts Diagram



REF#	DESCRIPTION & PARTS INCLUDED	QUANTITY	KIT NUMBER
	REPAIR KIT		T4Q2H-001-RPRK
1	Friction Disc	2	
2	Disc Spring	2	
3	Nylon Point Set Screw	1	
	DRIVE HUB KIT		T4Q2H-001-HUBK
4	Drive Hub	1	
5	Retainer Ring	1	
	ADAPTER KIT		T4Q2H-001-ADPK
6	Adapter	1	
7	Screw	6	
	SLEEVE KIT		T4Q2H-001-SLVK
8	Sleeve	1	
9	Retainer Ring	3	
10	Bearing	1	
	DRIVE DISC KIT		T4Q2H-001-DRDK
11	Drive Disc	3	
	FACING KIT		T4Q2H-001-FCGK
1	Friction Disc	2	
3	Nylon Point Set Screw	1	
	NUT KIT		T4Q2H-001-NUTK
3	Nylon Point Set Screw	1	
12	Nut	1	

PARTS KITS

The *Repair Kit* contains common wear items for this product. Users are encouraged to stock one or more repair kits considering the number of units installed and the potential downtime if machinery on which the unit is installed is critical equipment. To obtain current pricing and lead time for parts kits, contact customer service.

orders@machiii.com

ADDITIONAL PRODUCT INFORMATION

Click on the links below or copy and paste into your web browser.

To view the Installation & Maintenance Manual for this product:
<http://www.machiii.com/PDF/Product-Manuals/TORQLIM BALLBRG MANUAL.pdf>

For information about the application and use of this and other Mach III products:
<http://machiii.com/Application/Default.asp>



859-291-0849

engineering@machiii.com

www.machiii.com