



T4A4H-001

Multi-Disc Torque Limiter with Pulley and Shrink Disc

Momentary Overload Protection

Engagement/Disengagement

Spring/None

Facing Type

High Coefficient

Minimum Torque Setting

390 Pound Inches

Maximum Torque Setting (Spring Compression ≈ 27%)

3,940 Pound Inches

Maximum RPM

1,750

Bore with No Keyway

1.250

Finish

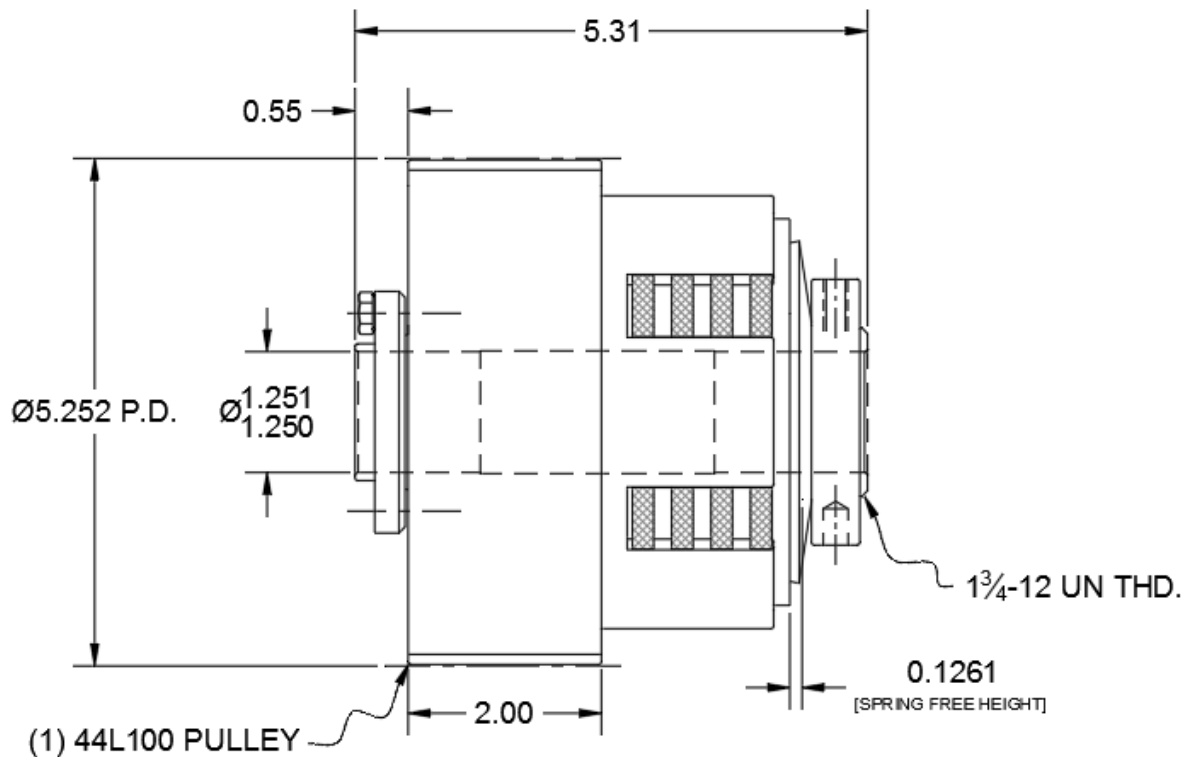
Aluminum

Open or Enclosed Construction

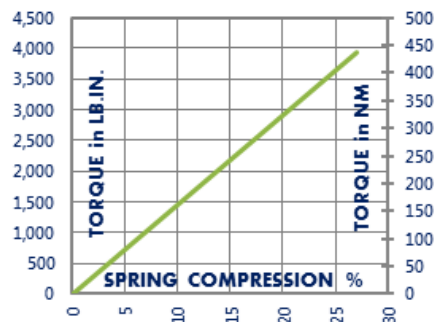
Open

Shipping Weight

10 Pounds



TORQUE vs. SPRING PRESSURE



NEW vs. BURNISHED TORQUE

New clutch or brake torque is approximately 40% less than rated design torque until the friction and drive discs are worn in (lapped, burnished). The length of time for wear-in to occur varies by application.

When calculating required torque always use a service factor of 1.5 to 2. It is not recommended to select a product for use at its maximum rated torque for continuous duty.

PRODUCT SELECTION

Torque capacity is only one factor to consider when making a product selection. Insure that you will have right product for the job by contacting our engineering department for application review and selection assistance.



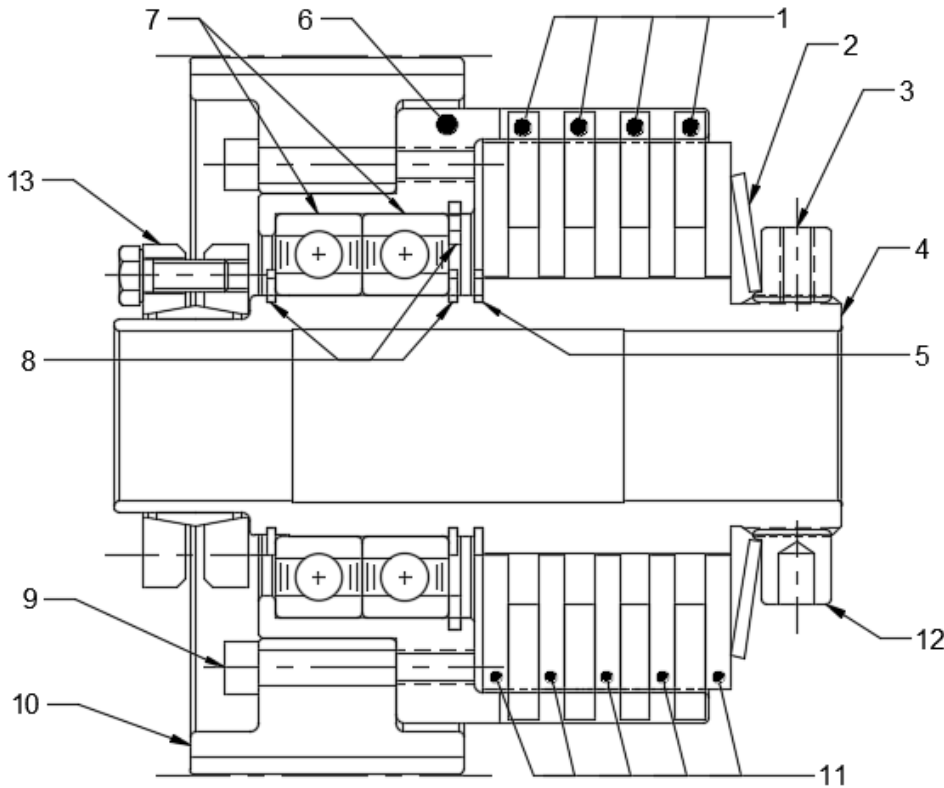
859-291-0849

engineering@machiii.com

www.machiii.com

T4A4H-001

Parts Diagram



| REF# | DESCRIPTION & PARTS INCLUDED | QUANTITY | KIT NUMBER |
|------|------------------------------|----------|-----------------------|
| | REPAIR KIT | | T4A4H-001-RPRK |
| 1 | Friction Disc | 4 | |
| 2 | Disc Spring | 1 | |
| 3 | Nylon Point Set Screw | 1 | |
| | DRIVE HUB KIT | | T4A4H-001-HUBK |
| 4 | Drive Hub | 1 | |
| 5 | Retainer Ring | 1 | |
| | SLEEVE KIT | | T4A4H-001-SLVK |
| 6 | Sleeve | 1 | |
| 7 | Bearing | 2 | |
| 8 | Retainer Ring | 3 | |
| | PULLEY KIT | | T4A4H-001-PULK |
| 9 | Screw | 6 | |
| 10 | Pulley | 1 | |
| | DRIVE DISC KIT | | T4A4H-001-DRDK |
| 11 | Drive Disc | 5 | |
| | FACING KIT | | T4A4H-001-FCGK |
| 1 | Friction Disc | 4 | |
| 3 | Nylon Point Set Screw | 1 | |
| | NUT KIT | | T4A2H-STL-NUTK |
| 3 | Nylon Point Set Screw | 1 | |
| 12 | Nut | 1 | |
| | CLAMP COLLAR KIT | | T4A4H-001-CLCK |
| 13 | Clamp Collar | 1 | |

PARTS KITS

The *Repair Kit* contains common wear items for this product. Users are encouraged to stock one or more repair kits considering the number of units installed and the potential downtime if machinery on which the unit is installed is critical equipment. To obtain current pricing and lead time for parts kits, contact customer service.

orders@machiii.com

ADDITIONAL PRODUCT INFORMATION

Click on the links below or copy and paste into your web browser.

To view the Installation & Maintenance Manual for this product:
<http://www.machiii.com/PDF/Product-Manuals/TORQLIM BALLBRG MANUAL.pdf>

For information about the application and use of this and other Mach III products:
<http://machiii.com/Application/Default.asp>



859-291-0849

engineering@machiii.com

www.machiii.com