



T3A2H-002

Combination Torque Limiter and Direct Drive Clutch

Momentary Overload Protection CCW Rotation
Direct Drive CW Rotation

Engagement/Disengagement

Spring/None

Facing Type

Low Coefficient

Factory Friction Torque Setting

60 Pound Inches

Maximum Friction Torque Setting (Spring Compression ≈ 31%)

792 Pound Inches

Maximum RPM

1,750

Shaft / Bore with Standard Keyways

30mm [1.181 Inches] / 0.75 Inches

Finish

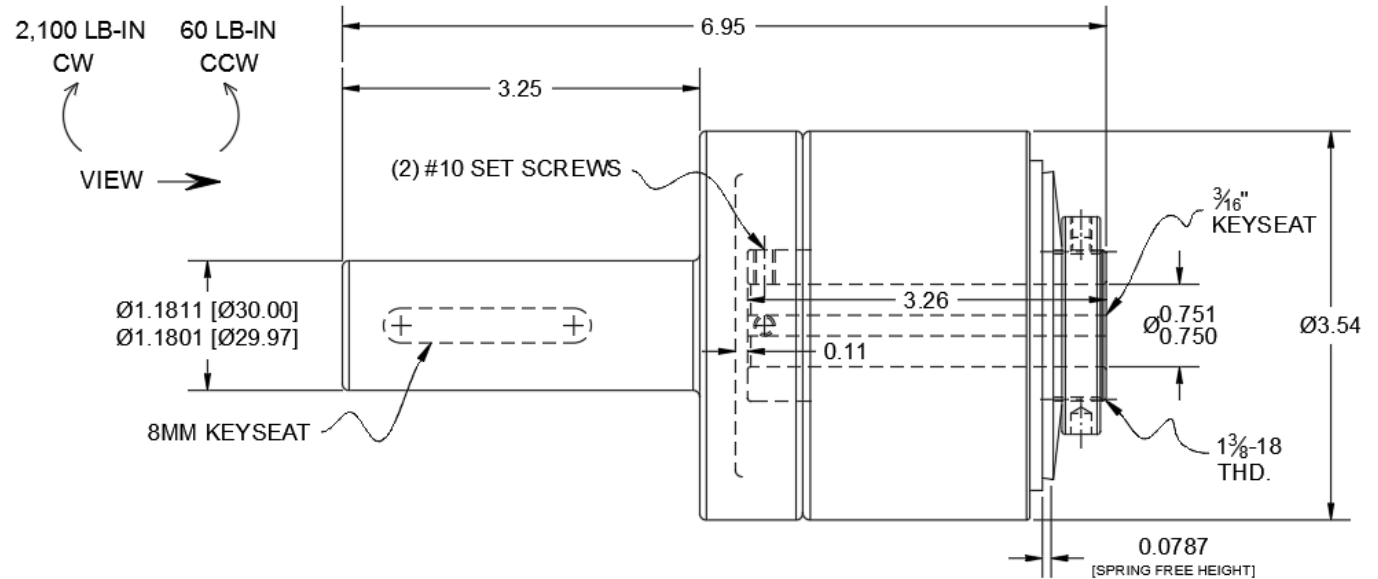
Steel

Open or Enclosed Construction

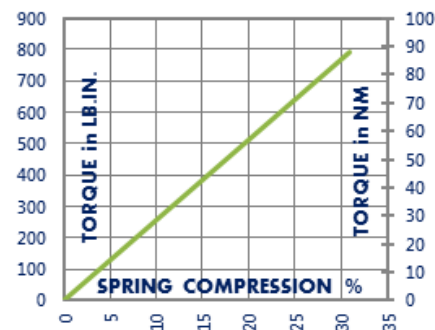
Open

Shipping Weight

7 Pounds



TORQUE vs. SPRING PRESSURE



NEW vs. BURNISHED TORQUE

New clutch or brake torque is approximately 40% less than rated design torque until the friction and drive discs are worn in (lapped, burnished). The length of time for wear-in to occur varies by application.

When calculating required torque always use a service factor of 1.5 to 2. It is not recommended to select a product for use at its maximum rated torque for continuous duty.

PRODUCT SELECTION

Torque capacity is only one factor to consider when making a product selection. Insure that you will have right product for the job by contacting our engineering department for application review and selection assistance.



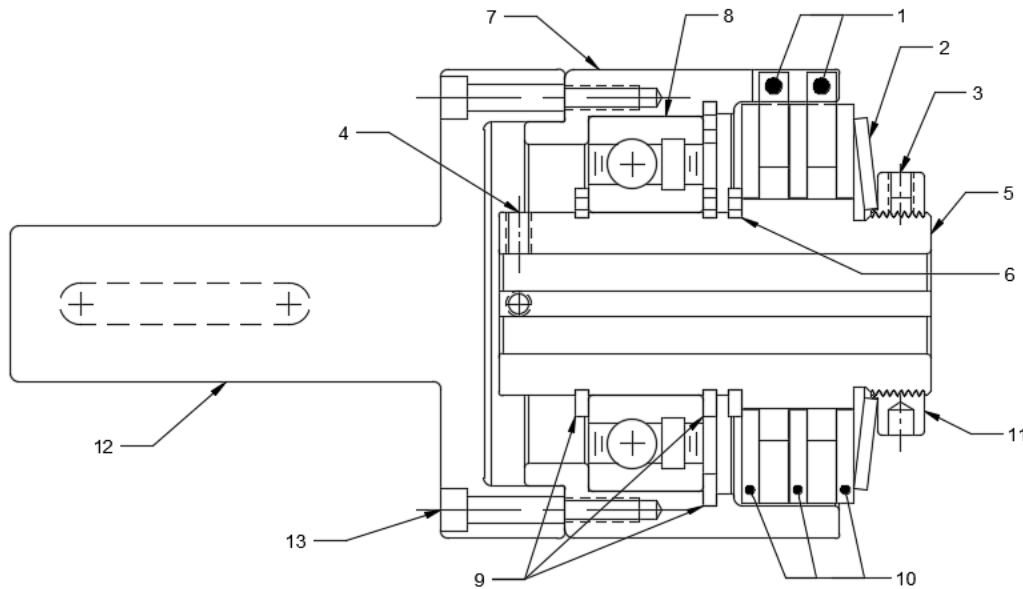
859-291-0849

engineering@machiii.com

www.machiii.com

T3A2H-002

Parts Diagram



REF#	DESCRIPTION & PARTS INCLUDED	QUANTITY	KIT NUMBER
	REPAIR KIT		T3A2H-002-RPRK
1	Friction Disc	2	
2	Disc Spring	1	
3	Nylon Point Set Screw	1	
	DRIVE HUB KIT		T3A2H-002-HUBK
4	Set Screw	2	
5	Drive Hub	1	
6	Retainer Ring	1	
	SLEEVE KIT		T3A2H-001-SLVK
7	Sleeve	1	
8	Bearing	1	
9	Retainer Ring	3	
	DRIVE DISC KIT		C3D2H-STH-DRDK
10	Drive Disc	3	
	FACING KIT		T3A2H-002-FCGK
1	Friction Disc	2	
3	Nylon Point Set Screw	1	
	NUT KIT		3000-NUTK
3	Nylon Point Set Screw	1	
11	Nut	1	
	COUPLING KIT		T3A2H-002-CPLK
12	Coupling	1	
13	Screw	6	

PARTS KITS

The *Repair Kit* contains common wear items for this product. Users are encouraged to stock one or more repair kits considering the number of units installed and the potential downtime if machinery on which the unit is installed is critical equipment. To obtain current pricing and lead time for parts kits, contact customer service.

orders@machiii.com

ADDITIONAL PRODUCT INFORMATION

Click on the links below or copy and paste into your web browser.

To view the Installation & Maintenance Manual for this product:
<http://www.machiii.com/PDF/Product-Manuals/TORQLIM BALLBRG MANUAL.pdf>

For information about the application and use of this and other Mach III products:
<http://machiii.com/Application/Default.asp>



859-291-0849

engineering@machiii.com

www.machiii.com