



T2G1R-001

Friction Torque Limiter with #1 Morse Taper

Male Input and #2 Female Output

Momentary Overload Protection

Engagement/Disengagement

Spring/None

Facing Type

Low Coefficient

Minimum Torque Setting

6 Pound Inches

Maximum Torque Setting (Spring Compression \approx 25%)

63 Pound Inches

Maximum RPM

150

Morse Taper Connections

#2 / #1

Finish

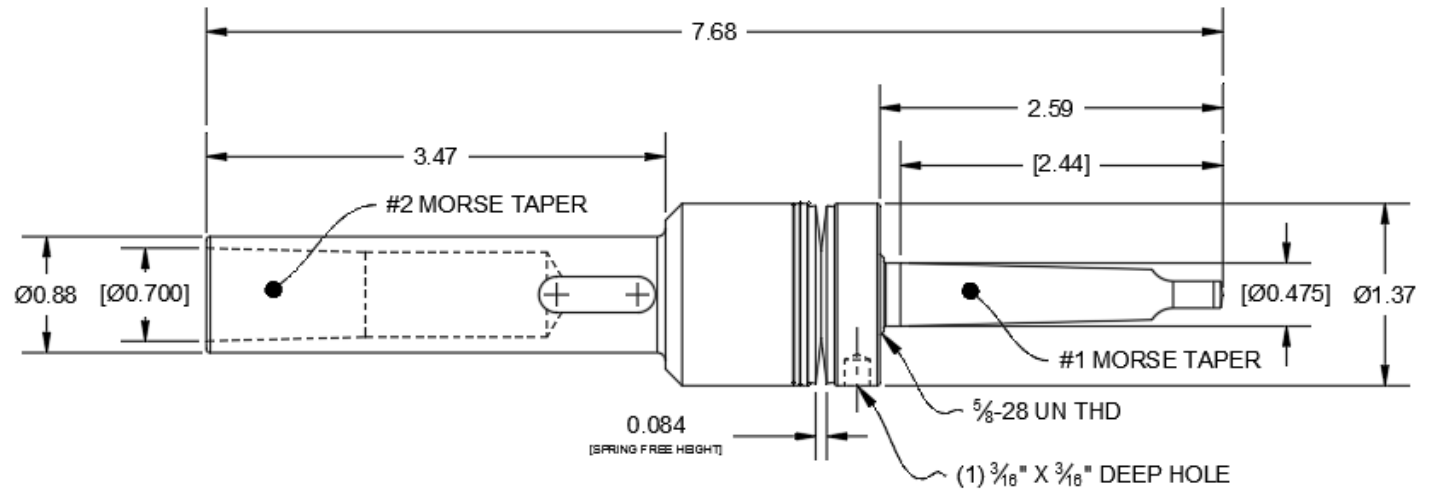
Steel

Open or Enclosed Construction

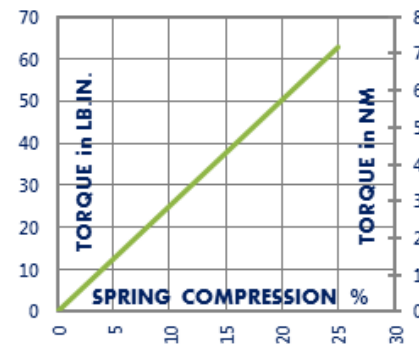
Open

Shipping Weight

1 Pounds



TORQUE vs. SPRING PRESSURE



NEW vs. BURNISHED TORQUE

New clutch or brake torque is approximately 40% less than rated design torque until the friction and drive discs are worn in (lapped, burnished). The length of time for wear-in to occur varies by application.

When calculating required torque always use a service factor of 1.5 to 2. It is not recommended to select a product for use at its maximum rated torque for continuous duty.

PRODUCT SELECTION

Torque capacity is only one factor to consider when making a product selection. Insure that you will have right product for the job by contacting our engineering department for application review and selection assistance.



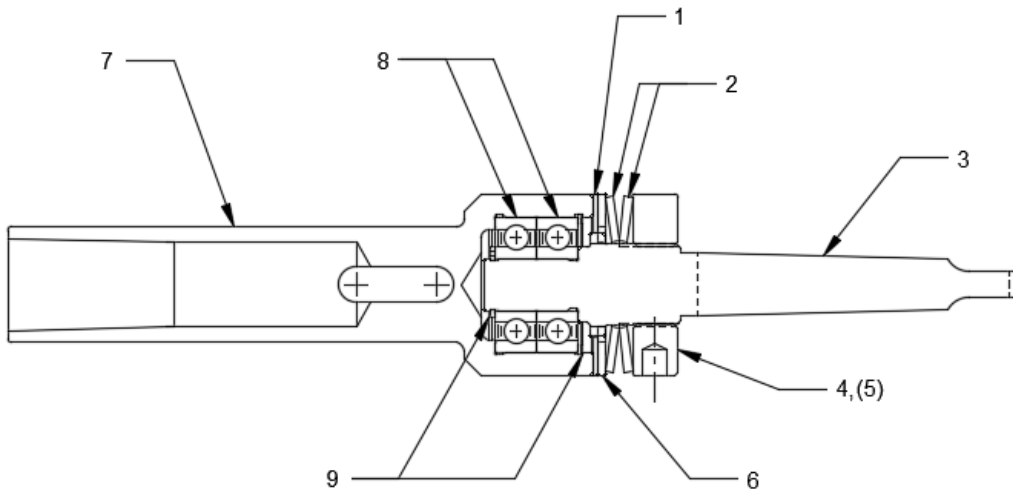
859-291-0849

engineering@machiii.com

www.machiii.com

T2G1R-001

Parts Diagram



REF#	DESCRIPTION & PARTS INCLUDED	QUANTITY	KIT NUMBER
	REPAIR KIT		T2G1R-001-RPRK
1	Friction Disc	1	
2	Disc Spring	2	
5	Nylon Point Set Screw	1	
3	DRIVE HUB	1	T2G1R-001-P001
	NUT KIT		T2G1R-001-NUTK
4	Nut	1	
5	Nylon Point Set Screw	1	
6	DRIVE DISC	1	T2G1R-001-P005
	COUPLING KIT		T2G1R-001-CPLK
7	Coupling	1	
8	Bearing	2	
9	Retainer Ring	2	
	FACING KIT		T2G1R-001-FCGK
1	Friction Disc	1	
5	Nylon Point Set Screw	1	

PARTS KITS

The *Repair Kit* contains common wear items for this product. Users are encouraged to stock one or more repair kits considering the number of units installed and the potential downtime if machinery on which the unit is installed is critical equipment. To obtain current pricing and lead time for parts kits, contact customer service.

orders@machiii.com

ADDITIONAL PRODUCT INFORMATION

Click on the links below or copy and paste into your web browser.

To view the Installation & Maintenance Manual for this product:

http://www.machiii.com/PDF/Product-Manuals/TORQLIM_MORSE_TAPER_INPUT_MANUAL.pdf

For information about the application and use of this and other Mach III products:

<http://machiii.com/Application/Default.asp>



859-291-0849

engineering@machiii.com

www.machiii.com