

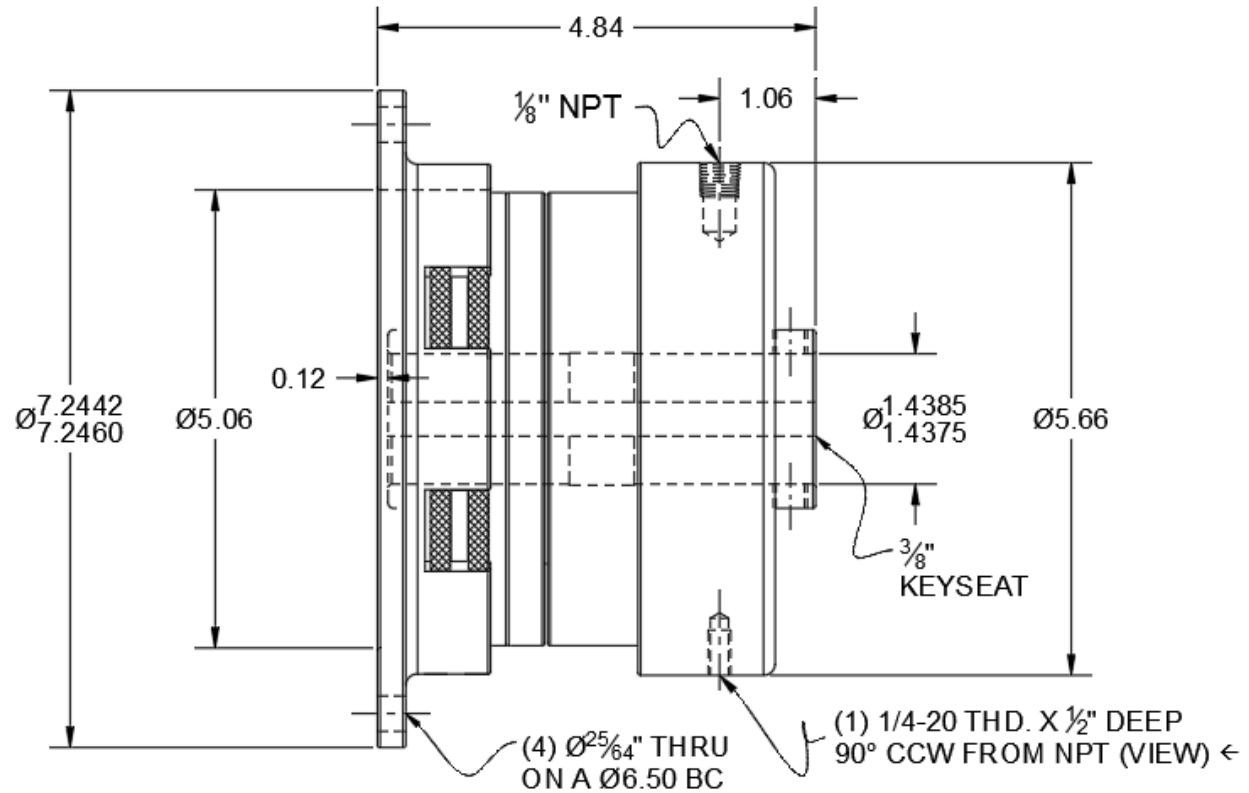
M5R2R-002

Clutch Mechanism with Adapter

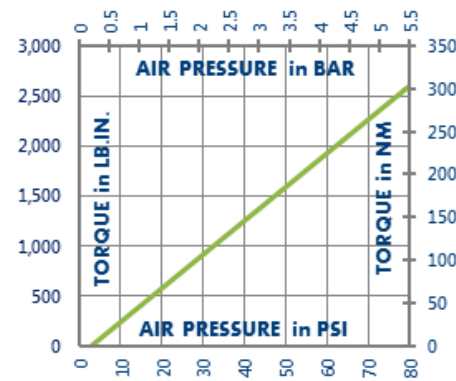


Mechanism DOES NOT support Adapter

Engagement/Disengagement
Air/Spring
Facing Type
High Coefficient
Torque @ 80 PSI – Dynamic
2,587 Pound Inches
Minimum Engagement Pressure
3 PSI
Maximum Operating Pressure
80 PSI
Maximum RPM
1,750
Bore with Standard Keyway
1.438 Inches
Air Volume New
0.75 Cubic Inches
Air Volume Worn
6.82 Cubic Inches
Finish
Aluminum
Open or Enclosed Construction
Open
Component Mounting Bolt Circle
6.500 Inches
Shipping Weight
12 Pounds



TORQUE vs. AIR PRESSURE



NEW vs. BURNISHED TORQUE

New clutch or brake torque is approximately 40% less than rated design torque until the friction and drive discs are worn in (lapped, burnished). The length of time for wear-in to occur varies by application.

When calculating required torque always use a service factor of 1.5 to 2. It is not recommended to select a product for use at its maximum rated torque for continuous duty.

PRODUCT SELECTION

Torque capacity is only one factor to consider when making a product selection. Insure that you will have right product for the job by contacting our engineering department for application review and selection assistance.



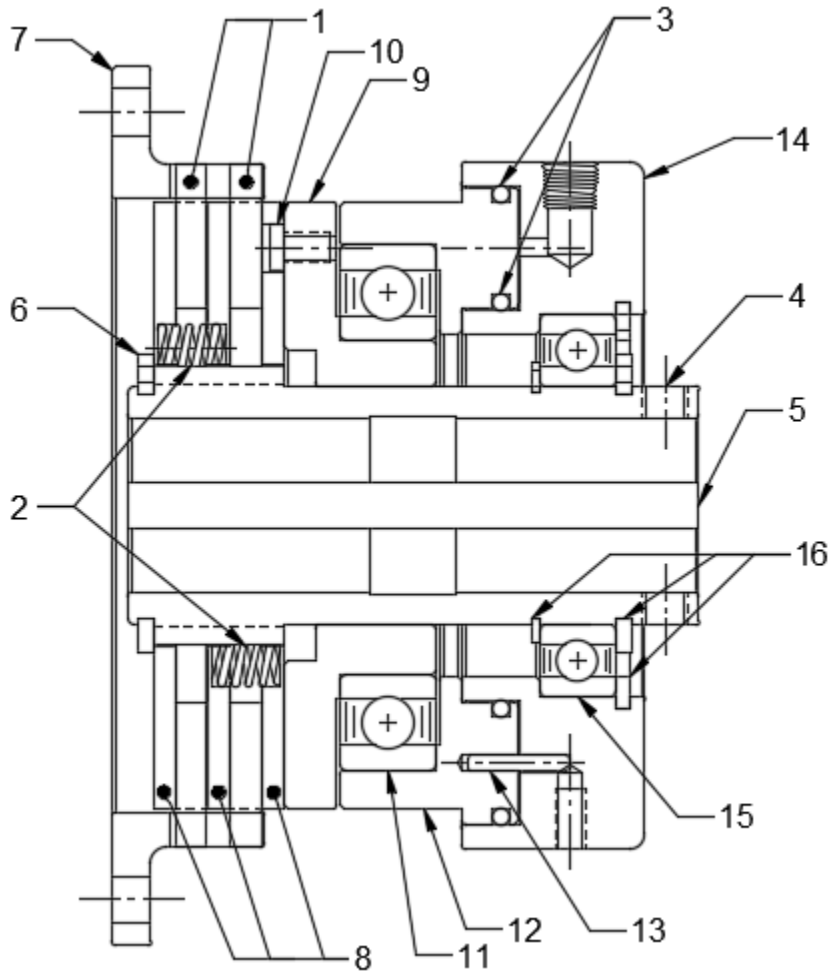
859-291-0849

engineering@machiii.com

www.machiii.com

M5R2R-002

Parts Diagram



REF#	DESCRIPTION & PARTS INCLUDED	QUANTITY	KIT NUMBER
	REPAIR KIT		M5R2R-002
1	Friction Disc	2	
2	Coil Spring	6	
3	"O" Ring	2	
	DRIVE HUB KIT		M5R2R-002-HUBK
4	Set Screw	2	
5	Drive Hub	1	
6	Retainer Ring	1	
7	ADAPTER	1	M5R2R-002-P046
	DRIVE DISC KIT		C5A2R-STH-DRDK
8	Drive Disc	3	
	PISTON KIT		C5A2H-STH-PSTK
9	Cone	1	
10	Screw	1	
11	Bearing	1	
12	Piston	1	
13	Pin	2	
	CYLINDER KIT		C5A2H-STH-CYLK
14	Cylinder	1	
15	Bearing	1	
16	Retainer Ring	3	

PARTS KITS

The *Repair Kit* contains common wear items for this product. Users are encouraged to stock one or more repair kits considering the number of units installed and the potential downtime if machinery on which the unit is installed is critical equipment. To obtain current pricing and lead time for parts kits, contact customer service.

orders@machiii.com

ADDITIONAL PRODUCT INFORMATION

Click on the links below or copy and paste into your web browser.

To view the Installation & Maintenance Manual for this product:

[http://www.machiii.com/PDF/Product-Manuals/CLUTCH MECH W ADAPT AIR RD MANUAL.pdf](http://www.machiii.com/PDF/Product-Manuals/CLUTCH_MECH_W_ADAPT_AIR_RD_MANUAL.pdf)

For information about the application and use of this and other Mach III products:

<http://machiii.com/Application/Default.asp>



859-291-0849

engineering@machiii.com

www.machiii.com