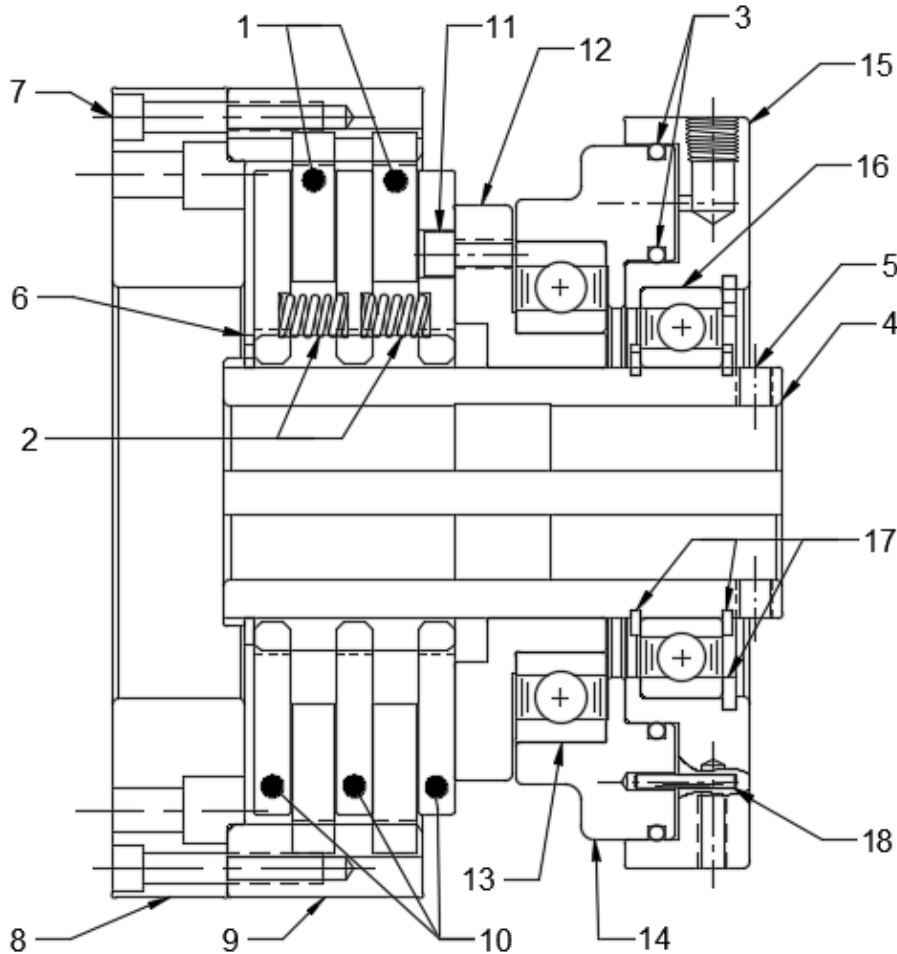




# M5R2K-001

## Parts Diagram



REF#	DESCRIPTION & PARTS INCLUDED	QUANTITY	KIT NUMBER
	<b>REPAIR KIT</b>		<b>M5R2K-001-RPRK</b>
1	Friction Disc	2	
2	Coil Spring	6	
3	"O" Ring	2	
	<b>DRIVE HUB KIT</b>		<b>M5R2K-001-DRDK</b>
4	Drive Hub	1	
5	Set Screw	2	
6	Retainer Ring	1	
	<b>ADAPTER KIT</b>		<b>M5R2K-001-ADPK</b>
7	Screw	6	
8	Adapter	1	
9	Ring Gear	1	
	<b>DRIVE DISC KIT</b>		<b>C5A2K-STH-DRDK</b>
10	Drive Disc	3	
	<b>PISTON KIT</b>		<b>C5A2K-STH-PSTK</b>
11	Screw	1	
12	Cone	1	
13	Bearing	1	
14	Piston	1	
	<b>CYLINDER KIT</b>		<b>C5A2K-STH-CYLK</b>
15	Cylinder	1	
16	Bearing	1	
17	Retainer Ring	3	
18	Pin	2	

### PARTS KITS

The *Repair Kit* contains common wear items for this product. Users are encouraged to stock one or more repair kits considering the number of units installed and the potential downtime if machinery on which the unit is installed is critical equipment. To obtain current pricing and lead time for parts kits, contact customer service.

[orders@machiii.com](mailto:orders@machiii.com)

### ADDITIONAL PRODUCT INFORMATION

Click on the links below or copy and paste into your web browser.

To view the Installation & Maintenance Manual for this product:

[http://machiii.com/PDF/Product-Manuals/CLUTCH\\_MECH\\_W\\_ADAPT\\_AIR\\_HD\\_MANUAL.pdf](http://machiii.com/PDF/Product-Manuals/CLUTCH_MECH_W_ADAPT_AIR_HD_MANUAL.pdf)

For information about the application and use of this and other Mach III products:

<http://machiii.com/Application/Default.asp>



859-291-0849

[engineering@machiii.com](mailto:engineering@machiii.com)

[www.machiii.com](http://www.machiii.com)