

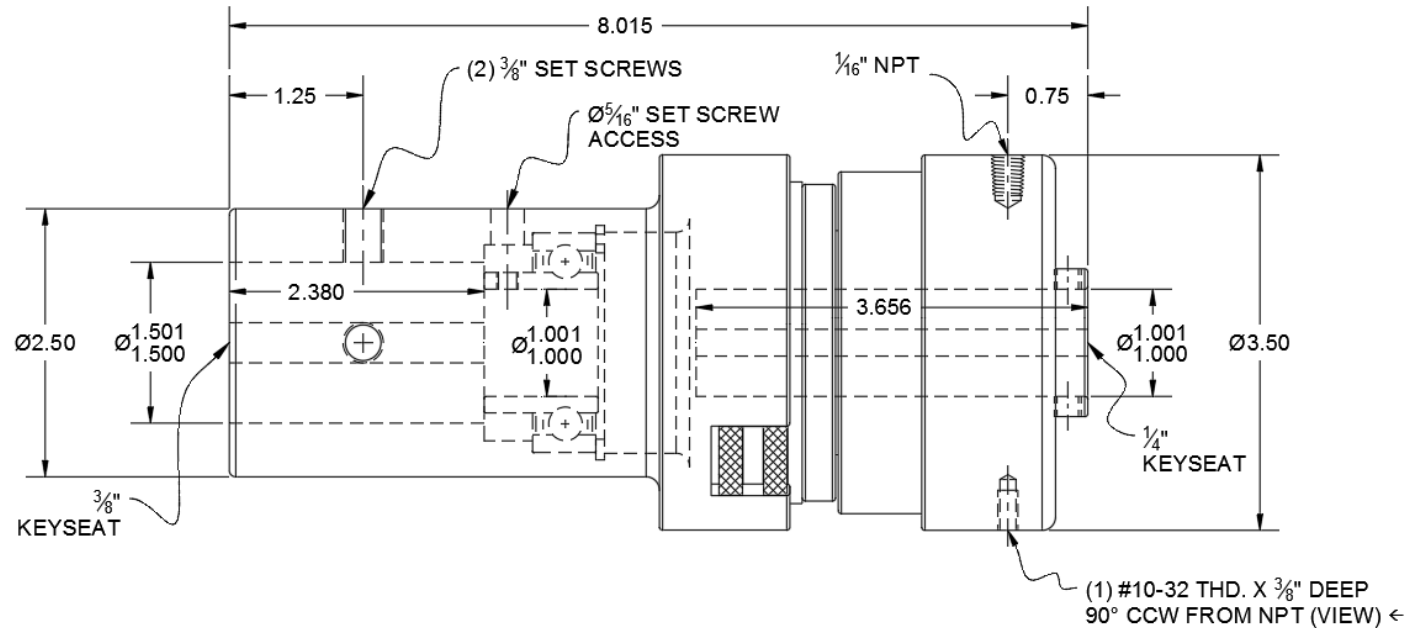


M3G2R-002

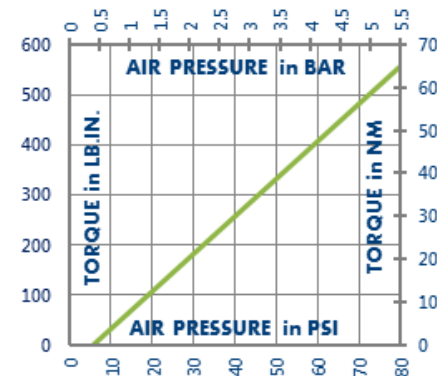
Conway 858-3M Clutch Replacement with Coupling

Mechanism DOES NOT support Coupling

Engagement/Disengagement	Air/Spring
Facing Type	High Coefficient
Torque @ 80 PSI – Dynamic	555 Pound Inches
Minimum Engagement Pressure	6 PSI
Maximum Operating Pressure	80 PSI
Maximum RPM	1,750
Bores with Standard Keyways	1.500 / 1.000
Air Volume New	0.20 Cubic Inches
Air Volume Worn	1.30 Cubic Inches
Finish	Aluminum
Open or Enclosed Construction	Open
Shipping Weight	8 Pounds



TORQUE vs. AIR PRESSURE



NEW vs. BURNISHED TORQUE

New clutch or brake torque is approximately 40% less than rated design torque until the friction and drive discs are worn in (lapped, burnished). The length of time for wear-in to occur varies by application.

When calculating required torque always use a service factor of 1.5 to 2. It is not recommended to select a product for use at its maximum rated torque for continuous duty.

PRODUCT SELECTION

Torque capacity is only one factor to consider when making a product selection. Insure that you will have right product for the job by contacting our engineering department for application review and selection assistance.



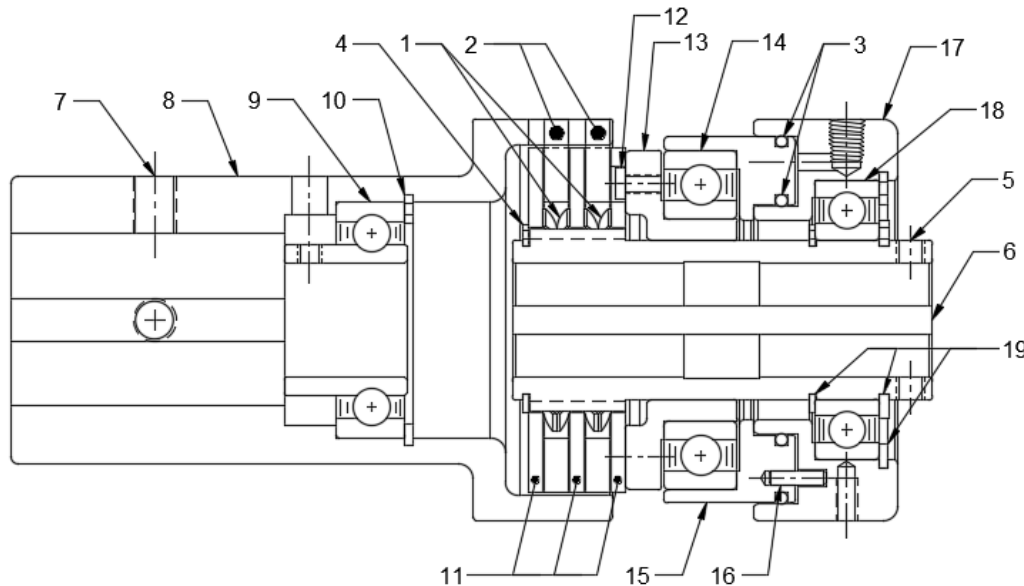
859-291-0849

engineering@machiii.com

www.machiii.com

M3G2R-002

Parts Diagram



REF#	DESCRIPTION & PARTS INCLUDED	QUANTITY	KIT NUMBER
	REPAIR KIT		M3G2R-002-RPRK
1	Wave Spring	2	
2	Friction Disc	2	
3	O-Ring	2	
	DRIVE HUB KIT		M3G2R-002-HUBK
4	Retainer Ring	1	
5	Set Screw	2	
6	Drive Hub	1	
	COUPLING KIT		M3G2R-002-CPLK
7	Set Screw	2	
8	Coupling	1	
9	Bearing	1	
10	Retainer Ring	1	
	DRIVE DISC KIT		C3A2R-STH-DRDK
11	Drive Disc	3	
	PISTON KIT		C3A2H-STH-PSTK
12	Screw	1	
13	Cone	1	
14	Bearing	1	
15	Piston	1	
16	Pin	2	
	CYLINDER KIT		C3A2H-STH-CYLK
17	Cylinder	1	
18	Bearing	1	
19	Retainer Ring	3	

PARTS KITS

The *Repair Kit* contains common wear items for this product. Users are encouraged to stock one or more repair kits considering the number of units installed and the potential downtime if machinery on which the unit is installed is critical equipment. To obtain current pricing and lead time for parts kits, contact customer service.

orders@machiii.com

ADDITIONAL PRODUCT INFORMATION

Click on the links below or copy and paste into your web browser.

To view the Installation & Maintenance Manual for this product:

[http://machiii.com/PDF/Product-Manuals/CLUTCH MECH W COUPL AIR RD MANUAL.pdf](http://machiii.com/PDF/Product-Manuals/CLUTCH_MECH_W_COUPL_AIR_RD_MANUAL.pdf)

For information about the application and use of this and other Mach III products:

<http://machiii.com/Application/Default.asp>



859-291-0849

engineering@machiii.com

www.machiii.com