



E8H3K-001

Flexible Clutch Coupling

Engagement/Disengagement

Spring/Air

Facing Type

High Coefficient

Torque @ 0 PSI – Dynamic

10,806 Pound Inches

Minimum Disengagement Pressure

77 PSI

Maximum Operating Pressure

90 PSI

Maximum RPM

1,325

Bore with Standard Keyway

2.000 Inches [Clutch] / 1.750 Inches [Coupling]

Air Volume/Cycle

5.45 Cubic Inches

Finish

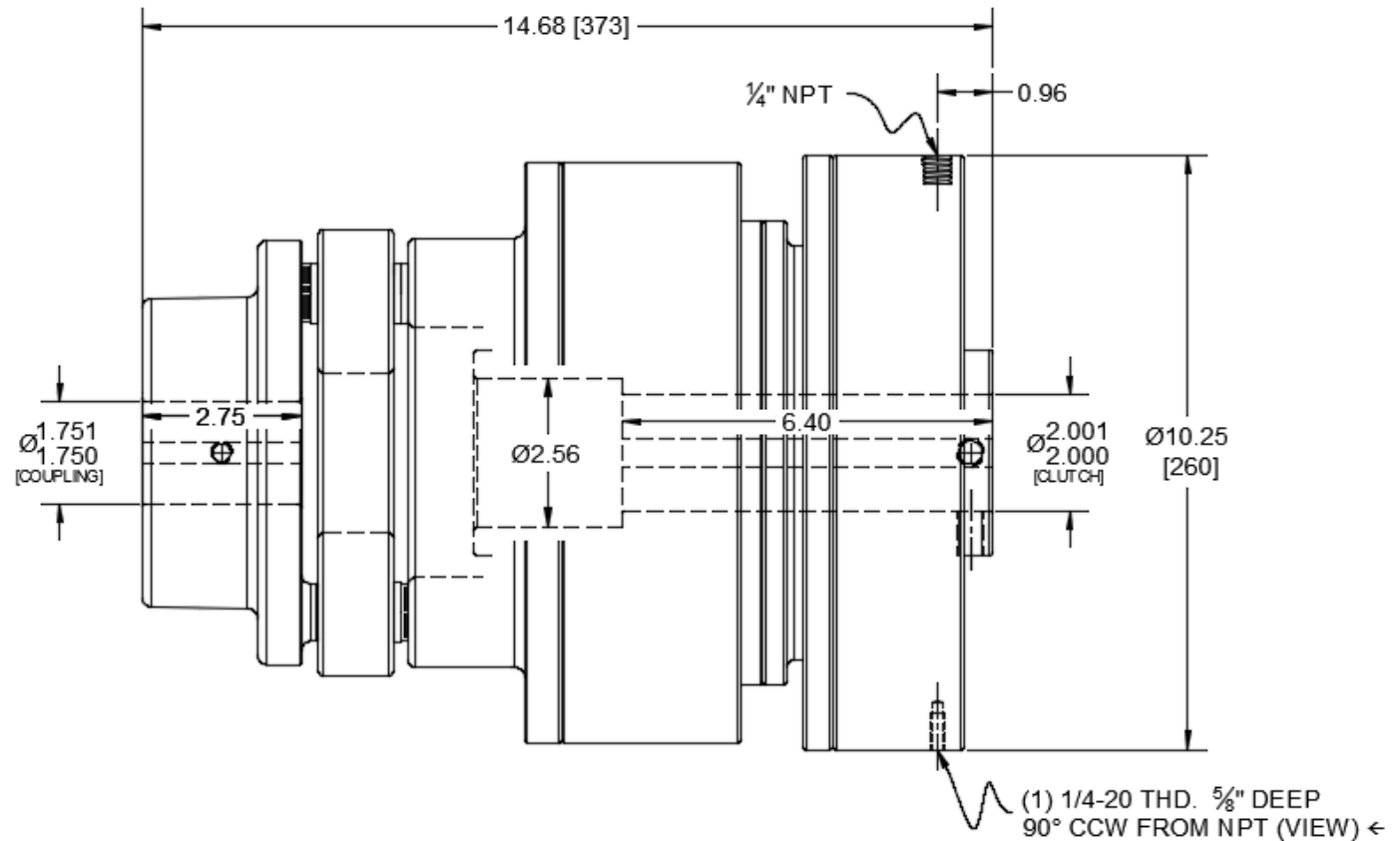
Aluminum

Open or Enclosed Construction

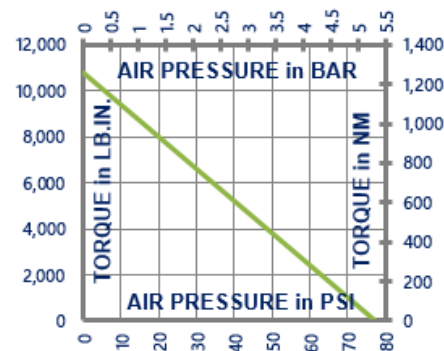
Open

Shipping Weight

75 Pounds



TORQUE vs. SPRING PRESSURE



NEW vs. BURNISHED TORQUE

New clutch or brake torque is approximately 40% less than rated design torque until the friction and drive discs are worn in (lapped, burnished). The length of time for wear-in to occur varies by application.

When calculating required torque always use a service factor of 1.5 to 2. It is not recommended to select a product for use at its maximum rated torque for continuous duty.

PRODUCT SELECTION

Torque capacity is only one factor to consider when making a product selection. Insure that you will have right product for the job by contacting our engineering department for application review and selection assistance.



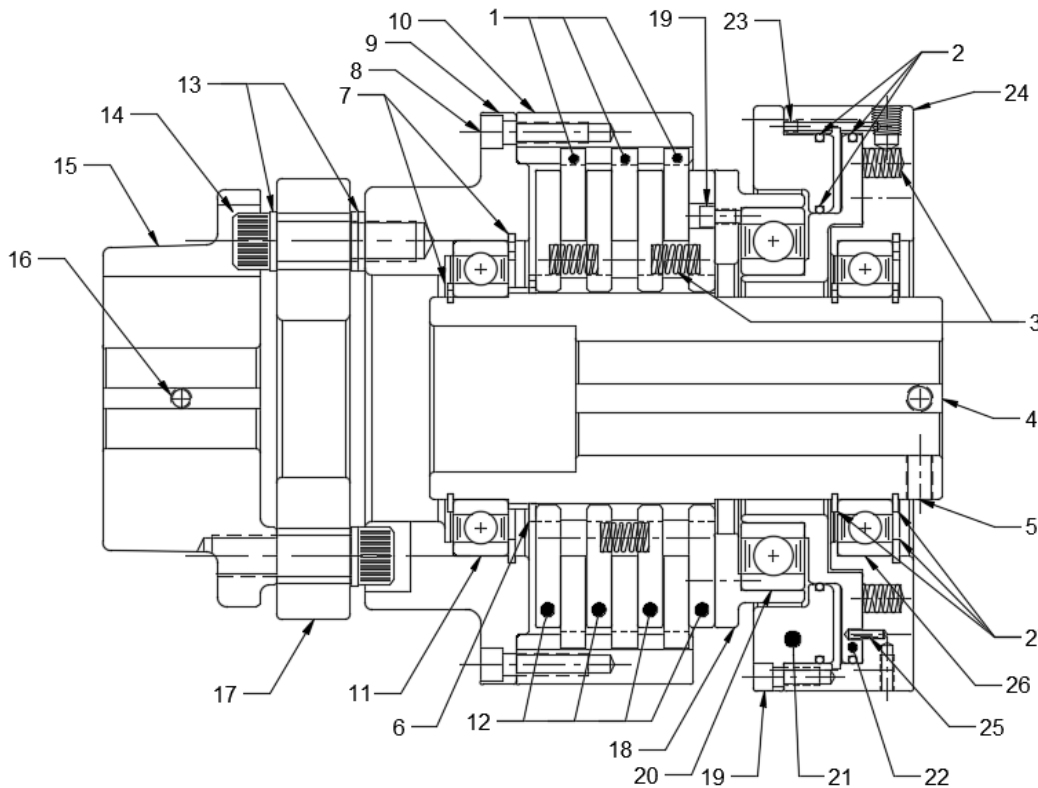
859-291-0849

engineering@machiii.com

www.machiii.com

E8H3K-001

Parts Diagram



REF#	DESCRIPTION & PARTS INCLUDED	QUANTITY	KIT NUMBER
REPAIR KIT			E8H3K-001-RPRK
1	Friction Disc	3	
2	O-Ring	3	
3	Coil Spring	49	
DRIVE HUB KIT			E8H3K-001-HUBK
4	Drive Hub	1	
5	Set Screw	2	
6	Retainer Ring	1	
SLEEVE KIT			E8H3K-001-SLVK
7	Retainer Ring	2	
8	Screw	6	
9	Sleeve	1	
10	Ring Gear	1	
11	Bearing	1	
DRIVE DISC KIT			E8H3K-001-DRDK
12	Drive Disc	4	
COUPLING KIT			E8H3K-001-CPLK
13	Washer	12	
14	Screw	6	
15	Coupling	1	
16	Set Screw	1	
17	Rubber Element	1	
PISTON KIT			E8A2K-STH-PSTK
18	Cone	1	
19	Screw	4	
20	Bearing	1	
21	Top Plate	1	
22	Piston	1	
CYLINDER KIT			E8A2K-STH-CYLK
23	Set Screw	1	
24	Cylinder	1	
25	Pin	2	
26	Bearing	1	
27	Retainer Ring	3	

PARTS KITS

The *Repair Kit* contains common wear items for this product. Users are encouraged to stock one or more repair kits considering the number of units installed and the potential downtime if machinery on which the unit is installed is critical equipment. To obtain current pricing and lead time for parts kits, contact customer service.

orders@machiii.com

ADDITIONAL PRODUCT INFORMATION

Click on the links below or copy and paste into your web browser.

To view the Installation & Maintenance Manual for this product:

http://www.machiii.com/PDF/product-manuals/CLUTCH_THRUSHAFT_BALLBRG_SPRING_HD_MANUAL.pdf

For information about the application and use of this and other Mach III products:

<http://machiii.com/Application/Default.asp>



859-291-0849

engineering@machiii.com

www.machiii.com