



E2C4R-002

Custom C-Face Clutch with Clamp Collar

Engagement/Disengagement

Spring/Air

Facing Type

High Coefficient

Torque @ 0 PSI – Dynamic

278 Pound Inches

Minimum Disengagement Pressure

76 PSI

Maximum Operating Pressure

90 PSI

Maximum RPM

1,750

Input Bore/Output Shaft

0.625 Inches / 14mm [0.551 inches]

Air Volume / Cycle

0.23 Cubic Inches

Finish

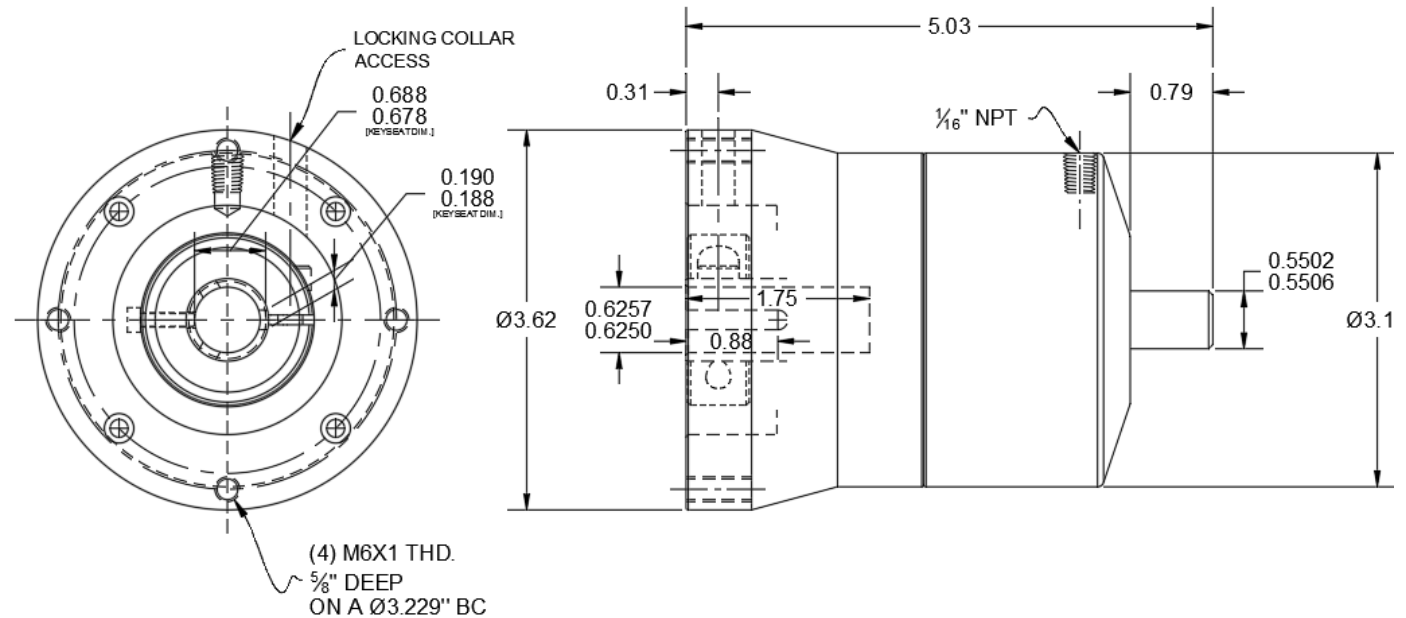
Aluminum

Open or Enclosed Construction

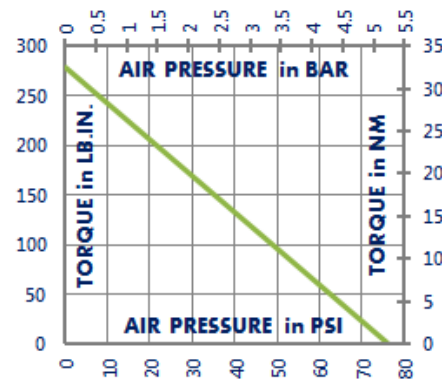
Enclosed

Shipping Weight

4 Pounds



TORQUE vs. SPRING PRESSURE



NEW vs. BURNISHED TORQUE

New clutch or brake torque is approximately 40% less than rated design torque until the friction and drive discs are worn in (lapped, burnished). The length of time for wear-in to occur varies by application.

When calculating required torque always use a service factor of 1.5 to 2. It is not recommended to select a product for use at its maximum rated torque for continuous duty.

PRODUCT SELECTION

Torque capacity is only one factor to consider when making a product selection. Insure that you will have right product for the job by contacting our engineering department for application review and selection assistance.



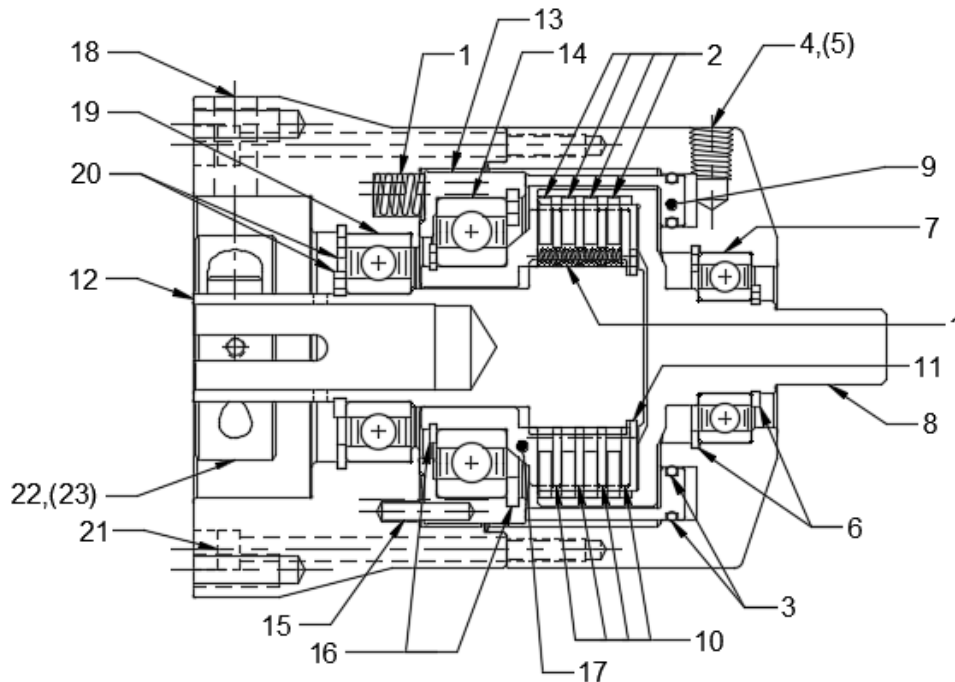
859-291-0849

engineering@machiii.com

www.machiii.com

E2C4R-002

Parts Diagram



REF#	DESCRIPTION & PARTS INCLUDED	QUANTITY	KIT NUMBER
	REPAIR KIT		E2C4R-002-RPRK
1	Coil Spring	13	
2	Friction Disc	4	
3	O-Ring	2	
	CYLINDER KIT		E2C4R-002-CYLK
4	Cylinder	1	
5	Air Fitting	1	
6	Retainer Ring	2	
7	Bearing	1	
8	SLEEVE	1	E2C4R-002-P002
9	PISTON	1	E2C4R-002-P004
	DRIVE DISC KIT		E2C4R-002-DRDK
10	Drive Disc	4	
	DRIVE HUB KIT		E2C4R-002-HUBK
11	Retainer Ring	1	
12	Drive Hub	1	
	CONE KIT		E2C4R-002-CONK
13	Pressure Plate	1	
14	Bearing	1	
15	Pin	2	
16	Retainer Ring	2	
17	Cone	1	
	ADAPTER KIT		E2C4R-002-ADPK
18	Adapter	1	
19	Bearing	1	
20	Retainer Ring	2	
21	Screw	4	
	CLAMP COLLAR KIT		E2C4R-002-CLCK
22	Clamp Collar	1	
23	Screw	1	

PARTS KITS

The *Repair Kit* contains common wear items for this product. Users are encouraged to stock one or more repair kits considering the number of units installed and the potential downtime if machinery on which the unit is installed is critical equipment. To obtain current pricing and lead time for parts kits, contact customer service.

orders@machiii.com

ADDITIONAL PRODUCT INFORMATION

Click on the links below or copy and paste into your web browser.

For information about the application and use of this and other Mach III products:

<http://machiii.com/Application/Default.asp>



859-291-0849

engineering@machiii.com

www.machiii.com