



D6F4G-003

Multi-disc Holding Brake

Flange Mount

Engagement/Disengagement

Spring/Air

Facing Type

High Coefficient

Torque – Dynamic

4,405 Pound Inches

Minimum Disengagement Pressure

80 PSI

Maximum Operating Pressure

95 PSI

Maximum RPM

1,750

Bore with Standard Keyway

1.750

Air Volume New

4.40 Cubic Inches

Air Volume Worn

5.00 Cubic Inches

Finish

Aluminum

Open or Enclosed Construction

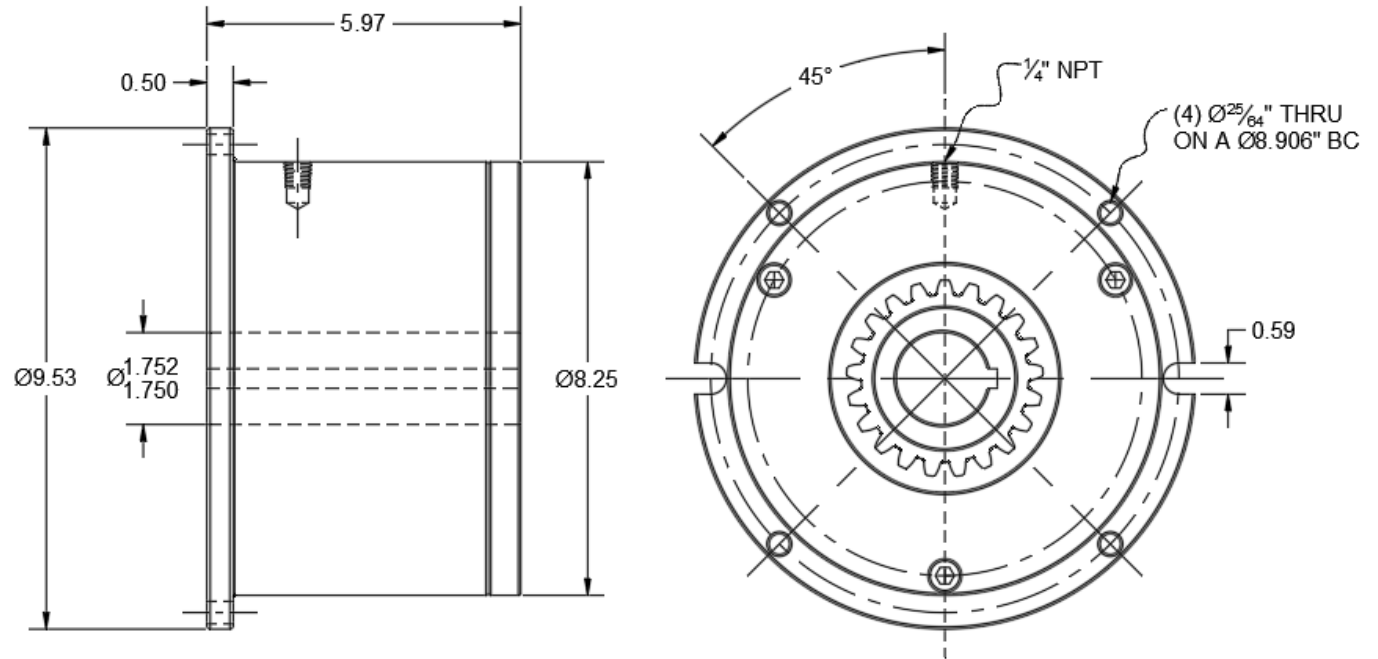
Open

Mounting Bolt Circle

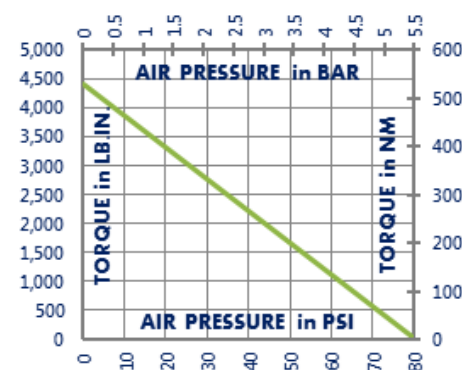
8.906 Inches

Shipping Weight

44 Pounds



TORQUE vs. SPRING PRESSURE



NEW vs. BURNISHED TORQUE

New clutch or brake torque is approximately 40% less than rated design torque until the friction and drive discs are worn in (lapped, burnished). The length of time for wear-in to occur varies by application.

When calculating required torque always use a service factor of 1.5 to 2. It is not recommended to select a product for use at its maximum rated torque for continuous duty.

PRODUCT SELECTION

Torque capacity is only one factor to consider when making a product selection. Insure that you will have right product for the job by contacting our engineering department for application review and selection assistance.



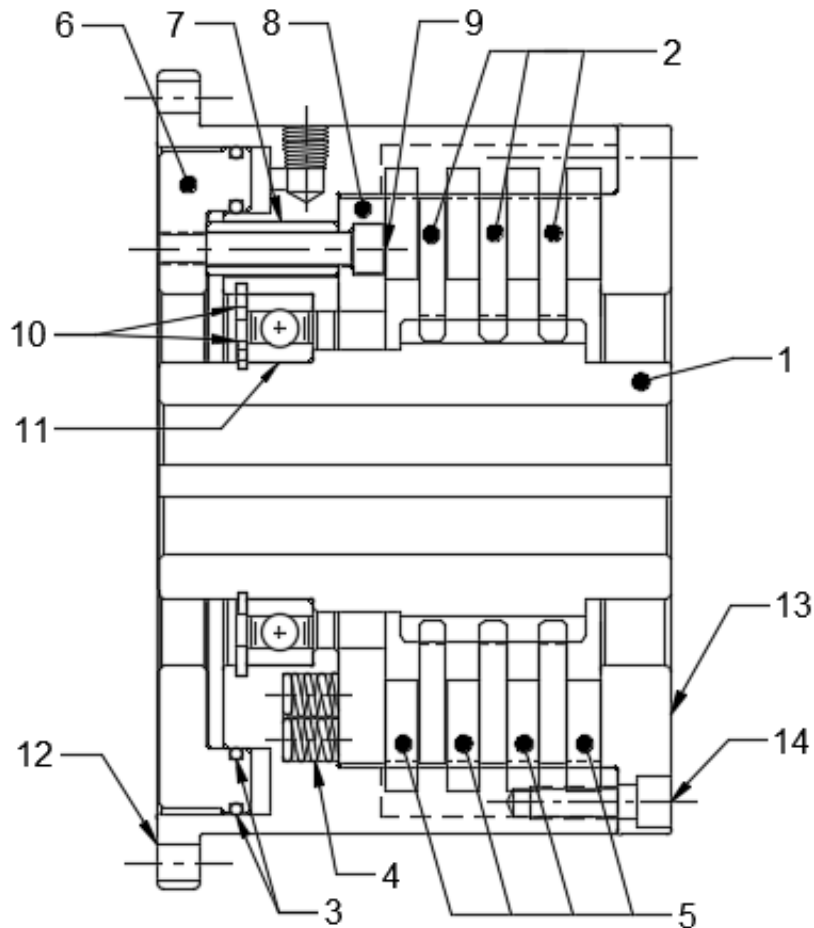
859-291-0849

engineering@machiii.com

www.machiii.com

D6F4G-003

Parts Diagram



REF#	DESCRIPTION & PARTS INCLUDED	QUANTITY	KIT NUMBER
1	DRIVE HUB	1	D6F4G-002-P001
	DRIVE DISC KIT		D6F4G-002-DRDK
2	Drive Disc	3	
	REPAIR KIT		D6F4G-003-RPRK
3	O-Ring	2	
4	Coil Spring	24	
5	Friction Disc	4	
	PISTON KIT		D6F3G-STH-PSTK
6	Piston	1	
7	Spacer	3	
8	Pressure Plate	1	
9	Screw	3	
	CYLINDER KIT		D6F4G-003-CYLK
10	Retainer Ring	2	
11	Bearing	1	
12	Cylinder	1	
13	Top Plate	1	
14	Screw	3	

PARTS KITS

The *Repair Kit* contains common wear items for this product. Users are encouraged to stock one or more repair kits considering the number of units installed and the potential downtime if machinery on which the unit is installed is critical equipment. To obtain current pricing and lead time for parts kits, contact customer service.

orders@machiii.com

ADDITIONAL PRODUCT INFORMATION

Click on the links below or copy and paste into your web browser.

To view the Installation & Maintenance Manual for this product:

http://www.machiii.com/PDF/Product-Manuals/BRAKES_FLANGE_SPRING_MANUAL.pdf

For information about the application and use of this and other Mach III products:

<http://machiii.com/Application/Default.asp>



859-291-0849

engineering@machiii.com

www.machiii.com