



D3C2F-002

NEMA 34 Spring Engaged Brake

Engagement/Disengagement

Spring/Air

Facing Type

High Coefficient

Torque – Dynamic

59 Pound Inches

Minimum Disengagement Pressure

62 PSI

Maximum Operating Pressure

90 PSI

Maximum RPM

1,750

Input Bore/Output Shaft

0.500/14mm

Air Volume New

0.02 Cubic Inches

Air Volume Worn

0.06 Cubic Inches

Finish

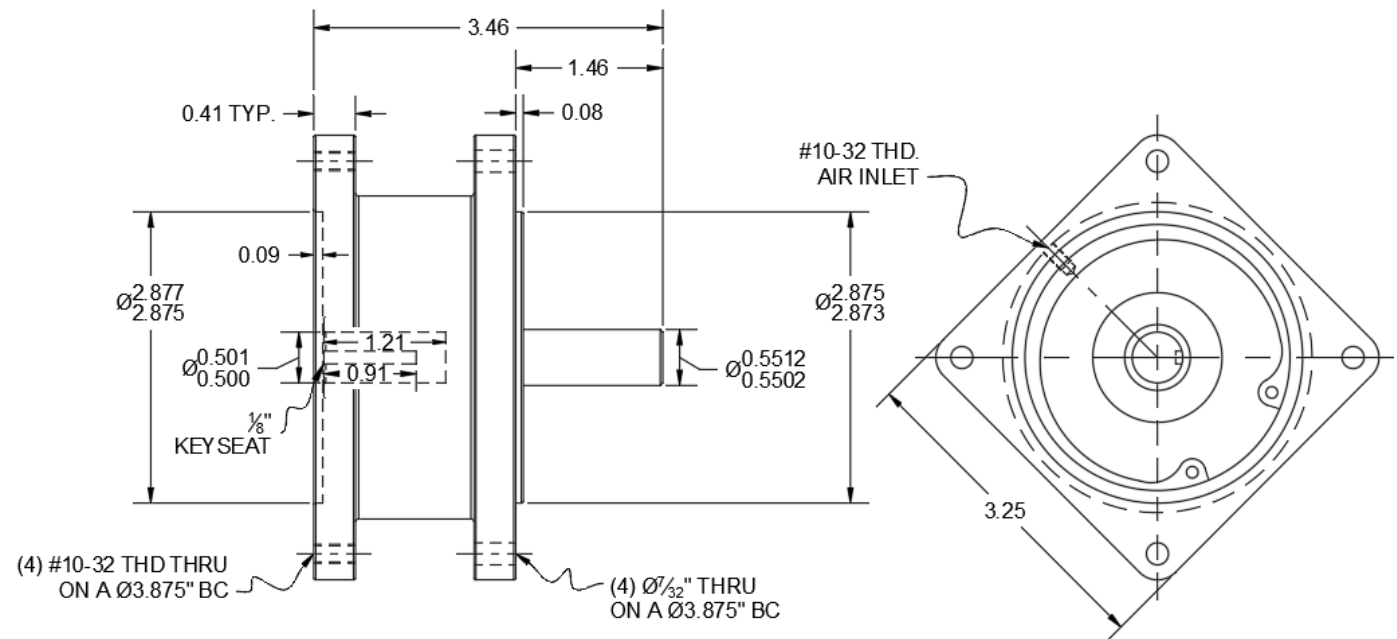
Aluminum

Open or Enclosed Construction

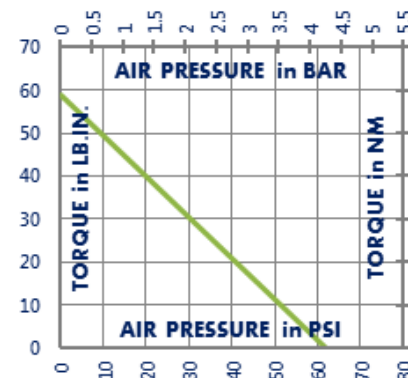
Enclosed

Shipping Weight

2 Pounds



TORQUE vs. SPRING PRESSURE



NEW vs. BURNISHED TORQUE

New clutch or brake torque is approximately 40% less than rated design torque until the friction and drive discs are worn in (lapped, burnished). The length of time for wear-in to occur varies by application.

When calculating required torque always use a service factor of 1.5 to 2. It is not recommended to select a product for use at its maximum rated torque for continuous duty.

PRODUCT SELECTION

Torque capacity is only one factor to consider when making a product selection. Insure that you will have right product for the job by contacting our engineering department for application review and selection assistance.



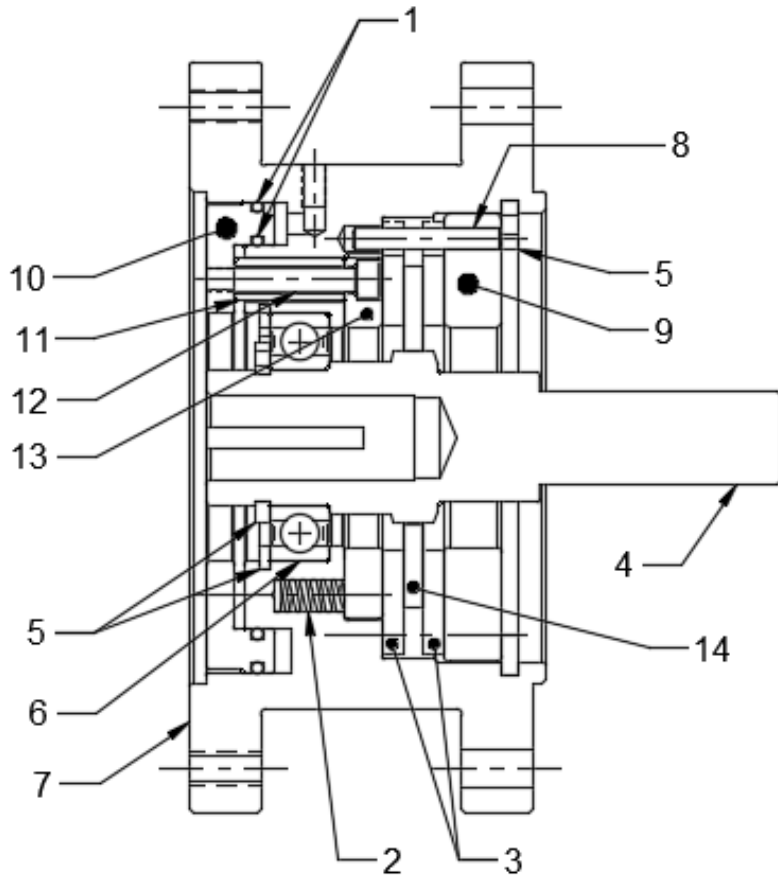
859-291-0849

engineering@machiii.com

www.machiii.com

D3C2F-002

Parts Diagram



REF#	DESCRIPTION & PARTS INCLUDED	QUANTITY	KIT NUMBER
	REPAIR KIT		D3C2F-002-RPRK
1	O-Ring	2	
2	Coil Spring	18	
3	Friction Disc	2	
4	DRIVE HUB	1	D3C2F-002-P001
	CYLINDER KIT		D3C2F-34H-CYLK
5	Retainer Ring	3	
6	Bearing	1	
7	Cylinder	1	
8	Pin	3	
9	Top Plate	1	
	PISTON KIT		D3C2F-34H-PSTK
10	Piston	1	
11	Spacer	3	
12	Screw	3	
13	Pressure Plate	1	
14	DRIVE DISC	1	D3C2F-34H-P005

PARTS KITS

The *Repair Kit* contains common wear items for this product. Users are encouraged to stock one or more repair kits considering the number of units installed and the potential downtime if machinery on which the unit is installed is critical equipment. To obtain current pricing and lead time for parts kits, contact customer service.

orders@machiii.com

ADDITIONAL PRODUCT INFORMATION

Click on the links below or copy and paste into your web browser.

To view the Installation & Maintenance Manual for this product:
<http://www.machiii.com/PDF/Product-Manuals/BRAKES NEMA SPRING MANUAL.pdf>

For information about the application and use of this and other Mach III products:
<http://machiii.com/Application/Default.asp>



859-291-0849

engineering@machiii.com

www.machiii.com