



CBA4K-002

Air Clutch with Female Pilot

Engagement/Disengagement

Air/Spring

Facing Type

High Coefficient

Torque @ 80 PSI – Dynamic

42,407 Pound Inches

Minimum Engagement Pressure

5 PSI

Maximum Operating Pressure

80 PSI

Maximum RPM

950

Bore with Standard Keyway

2.750

Air Volume New

9.64 Cubic Inches

Air Volume Worn

44.43 Cubic Inches

Finish

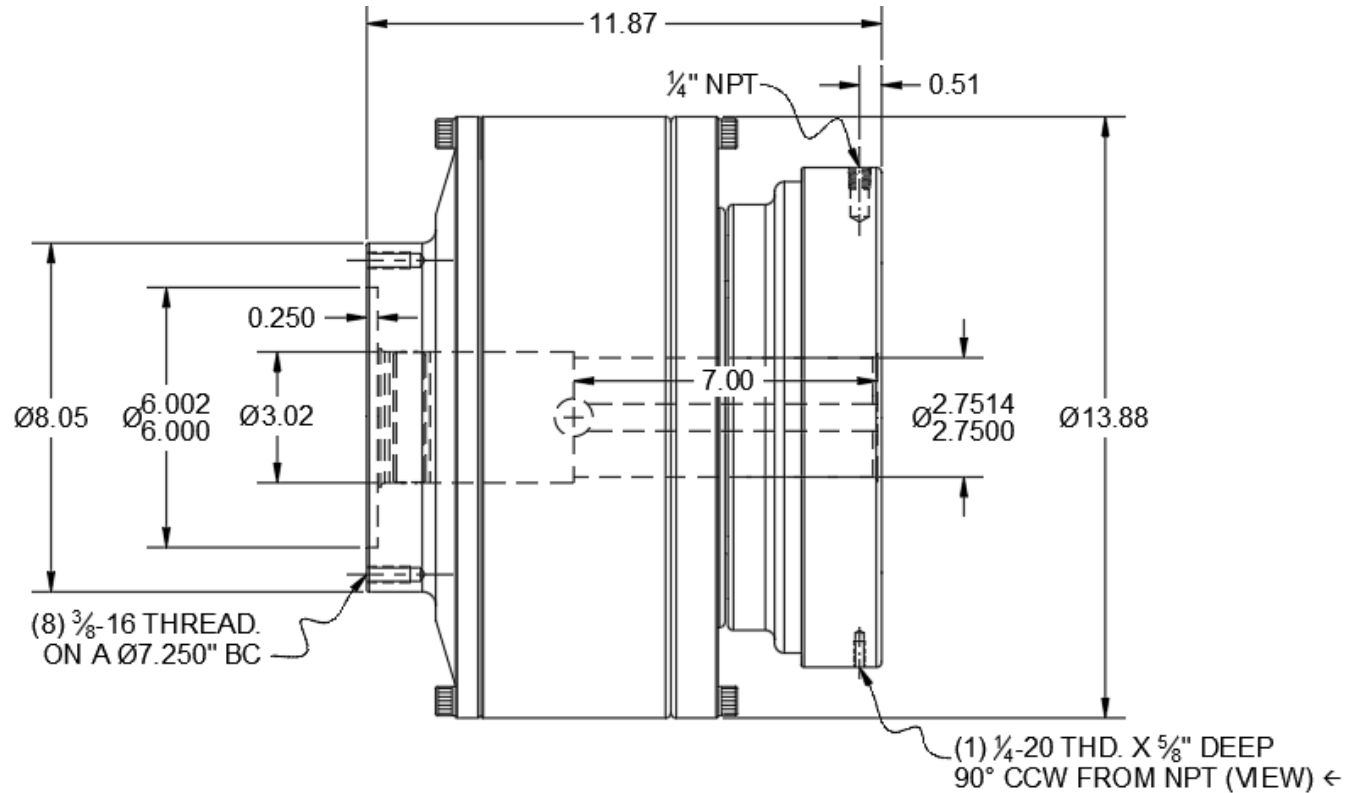
Aluminum

Open or Enclosed Construction

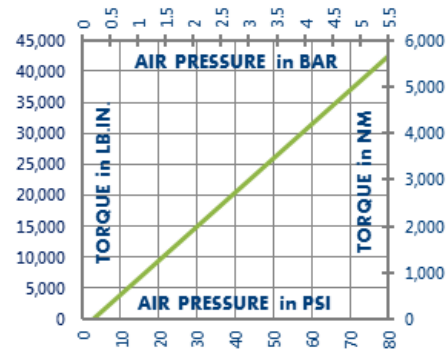
Open

Shipping Weight

280 Pounds



TORQUE vs. AIR PRESSURE



NEW vs. BURNISHED TORQUE

New clutch or brake torque is approximately 40% less than rated design torque until the friction and drive discs are worn in (lapped, burnished). The length of time for wear-in to occur varies by application.

When calculating required torque always use a service factor of 1.5 to 2. It is not recommended to select a product for use at its maximum rated torque for continuous duty.

PRODUCT SELECTION

Torque capacity is only one factor to consider when making a product selection. Insure that you will have right product for the job by contacting our engineering department for application review and selection assistance.



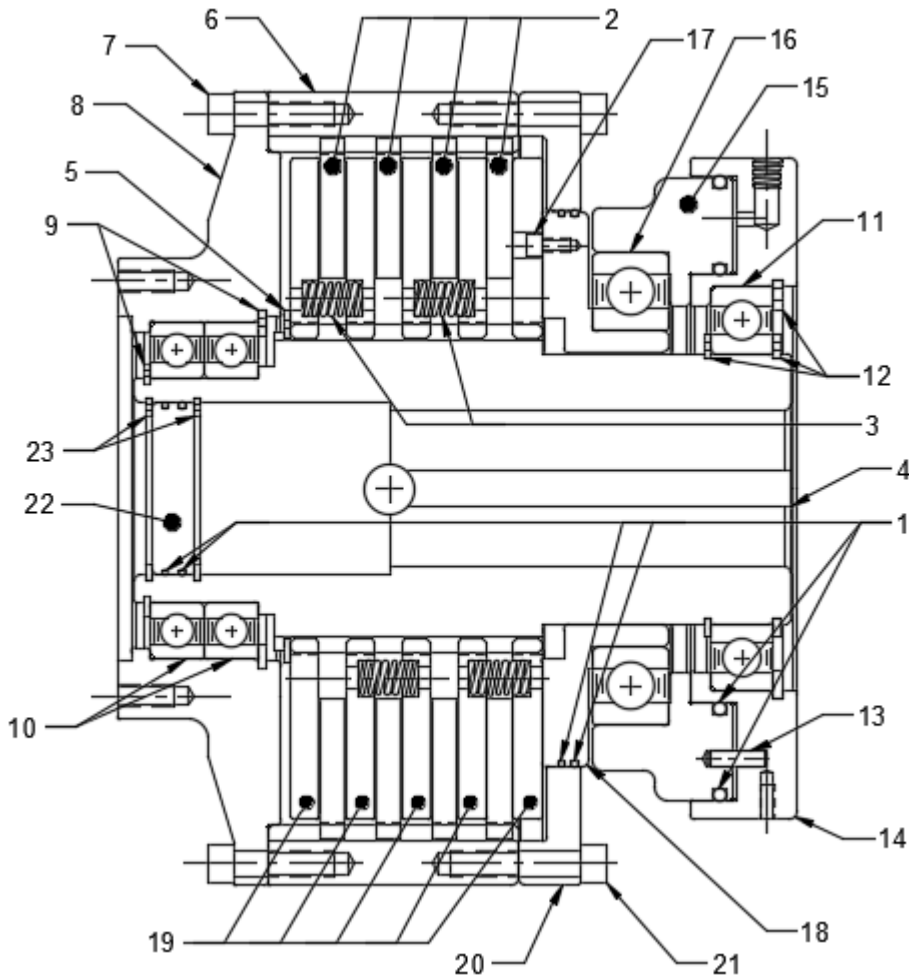
859-291-0849

engineering@machiii.com

www.machiii.com

CBA4K-002

Parts Diagram



REF#	DESCRIPTION & PARTS INCLUDED	QUANTITY	KIT NUMBER
	REPAIR KIT		CBA4K-002-RPRK
1	O-Ring	6	
2	Friction Disc	4	
3	Coil Spring	24	
	DRIVE HUB KIT		CBA4K-002-HUBK
4	Drive Hub	1	
5	Retainer Ring	1	
	SLEEVE KIT		CBA4K-002-SLVK
6	Ring Gear	1	
7	Screw	9	
8	Sleeve	1	
9	Retainer Ring	2	
10	Bearing	2	
	CYLINDER KIT		CBA2K-STH-CYLK
11	Bearing	1	
12	Retainer Ring	3	
13	Pin	2	
14	Cylinder	1	
	PISTON KIT		CBA4K-002-PSTK
15	Piston	1	
16	Bearing	1	
17	Screw	1	
18	Cone	1	
	DRIVE DISC KIT		CBA4K-002-DRDK
19	Drive Disc	5	
	COVER KIT		CBA4K-002-COVK
20	Cover	1	
21	Screw	4	
	SEAL KIT		CBA4K-002-SELK
22	Stationary Seal	1	
23	Retainer Ring	2	

PARTS KITS

The *Repair Kit* contains common wear items for this product. Users are encouraged to stock one or more repair kits considering the number of units installed and the potential downtime if machinery on which the unit is installed is critical equipment. To obtain current pricing and lead time for parts kits, contact customer service.

orders@machiii.com

ADDITIONAL PRODUCT INFORMATION

Click on the links below or copy and paste into your web browser.

To view the Installation & Maintenance Manual for this product:

http://www.machiii.com/PDF/Product-Manuals/CLUTCH_THRUSHAFT_AIR_HD_MANUAL.pdf

For information about the application and use of this and other Mach III products:

<http://machiii.com/Application/Default.asp>



859-291-0849

engineering@machiii.com

www.machiii.com