

Friction Clutch – Air Applied
End of Shaft Bored, Pilot Mount

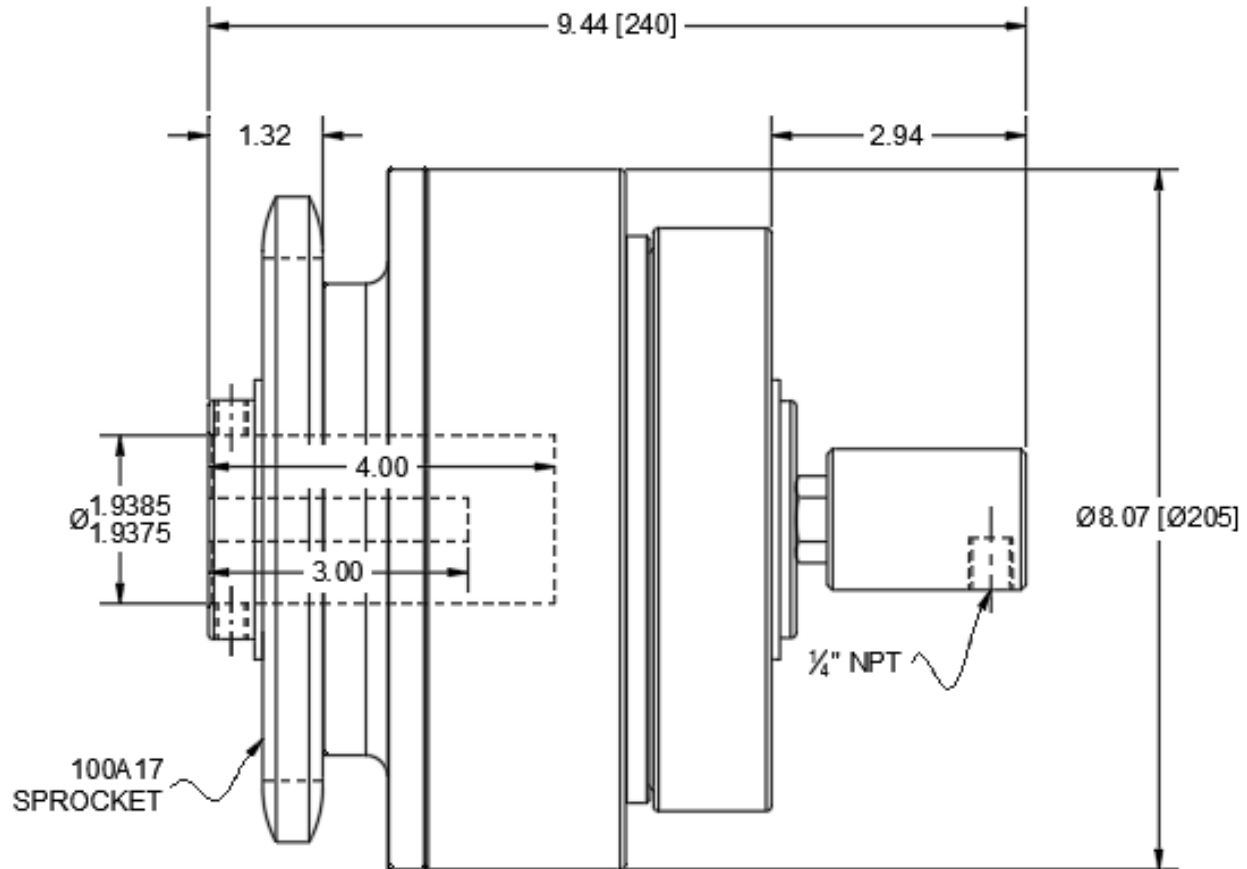


C6D3K-066

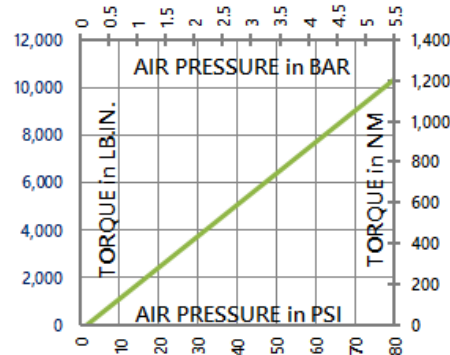
Sprocket Size

Chain Size	100
Number Teeth	17

Engagement/Disengagement	Air/Spring
Facing Type	High Coefficient
Torque @ 80 PSI – Dynamic	10,328 Pound Inches
Minimum Engagement Pressure	3 PSI
Maximum Operating Pressure	80 PSI
Maximum RPM	1,650
Bore with Standard Keyway	1.938 Inches
Air Volume New	2.22 Cubic Inches
Air Volume Worn	19.68 Cubic Inches
Finish	Aluminum
Open or Enclosed Construction	Open
Shipping Weight	33 Pounds



TORQUE vs. AIR PRESSURE



NEW vs. BURNISHED TORQUE

New clutch or brake torque is approximately 40% less than rated design torque until the friction and drive discs are worn in (lapped, burnished). The length of time for wear-in to occur varies by application.

When calculating required torque always use a service factor of 1.5 to 2. It is not recommended to select a product for use at its maximum rated torque for continuous duty.

PRODUCT SELECTION

Torque capacity is only one factor to consider when making a product selection. Insure that you will have right product for the job by contacting our engineering department for application review and selection assistance.



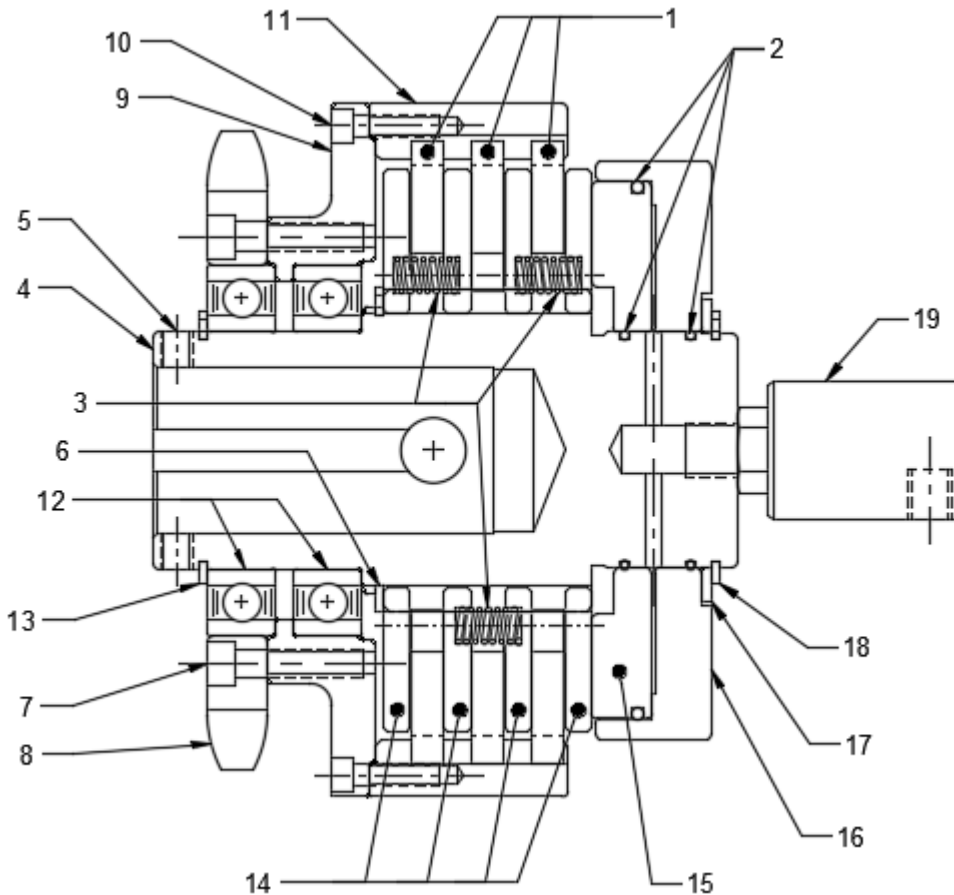
859-291-0849

engineering@machiii.com

www.machiii.com

C6D3K-066

Parts Diagram



REF#	DESCRIPTION & PARTS INCLUDED	QUANTITY	KIT NUMBER
	REPAIR KIT		C6D3K-066-RPRK
1	Friction Disc	3	
2	O-Ring	3	
3	Coil Spring	9	
	DRIVE HUB KIT		C6D3K-066-HUBK
4	Drive Hub	1	
5	Set Screw	2	
6	Retainer Ring	1	
	SPROCKET KIT		6038-SPRK
7	Screw	6	
8	Sprocket	1	
	SLEEVE KIT		6038-SLVK
9	Sleeve	1	
10	Screw	6	
11	Ring Gear	1	
12	Bearing	2	
13	Retainer Ring	1	
	DRIVE DISC KIT		6038-DRDK
14	Drive Disc	4	
15	PISTON	1	6351-P004
	CYLINDER KIT		6351-CYLK
16	Cylinder	1	
17	Race	1	
18	Retainer Ring	1	
19	ROTATING SEAL	1	RSEAL-031

PARTS KITS

The *Repair Kit* contains common wear items for this product. Users are encouraged to stock one or more repair kits considering the number of units installed and the potential downtime if machinery on which the unit is installed is critical equipment. To obtain current pricing and lead time for parts kits, contact customer service.

orders@machiii.com

ADDITIONAL PRODUCT INFORMATION

Click on the links below or copy and paste into your web browser.

To view the Installation & Maintenance Manual for this product:

http://www.machiii.com/PDF/Product-Manuals/CLUTCH_ENDSHAFT_AIR_HD_MANUAL.pdf

For information about the application and use of this and other Mach III products:

<http://machiii.com/Application/Default.asp>



859-291-0849

engineering@machiii.com

www.machiii.com