



C6D3K-003

Air Clutch With (6) 5V Groove Pulley

Engagement/Disengagement

Air/Spring

Facing Type

High Coefficient

Torque @ 80 PSI – Dynamic

7,405 Pound Inches

Minimum Engagement Pressure

3 PSI

Maximum Operating Pressure

80 PSI

Maximum RPM

1,650

Bore with Standard Keyway

2.125

Air Volume New

2.78 Cubic Inches

Air Volume Worn

8.09 Cubic Inches

Finish

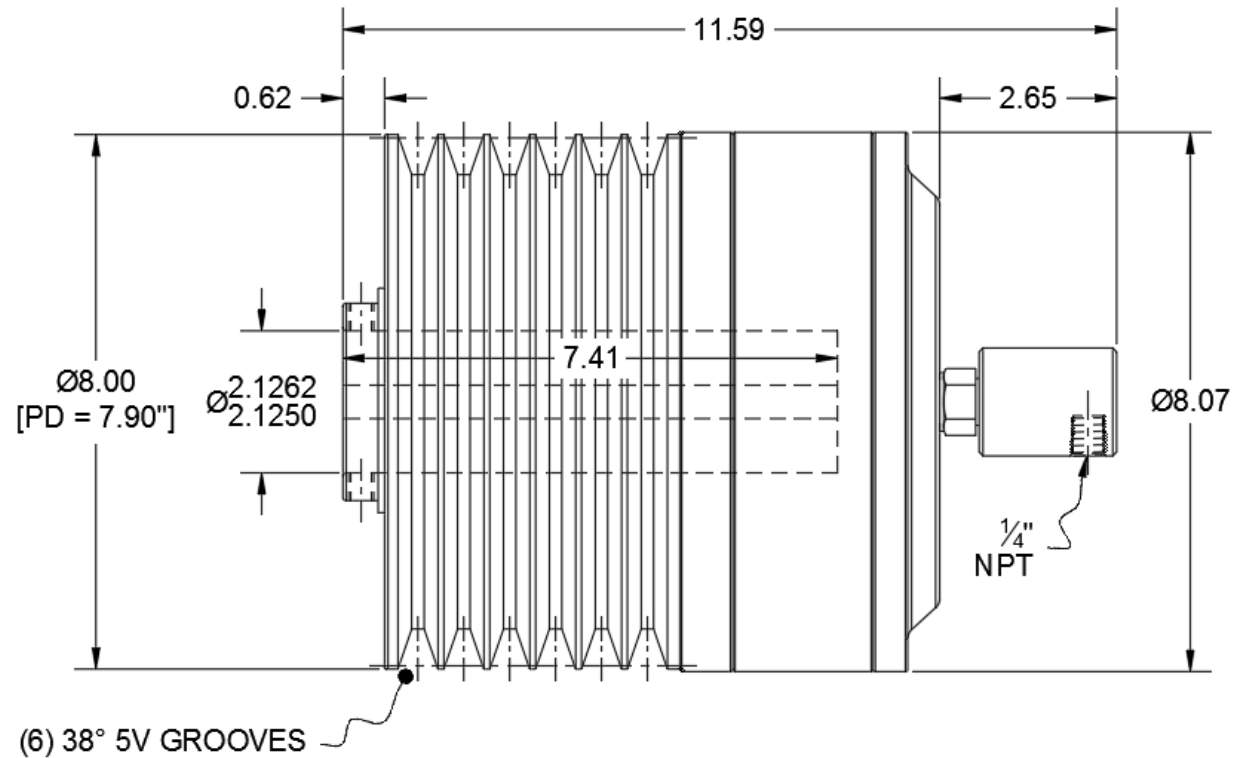
Steel

Open or Enclosed Construction

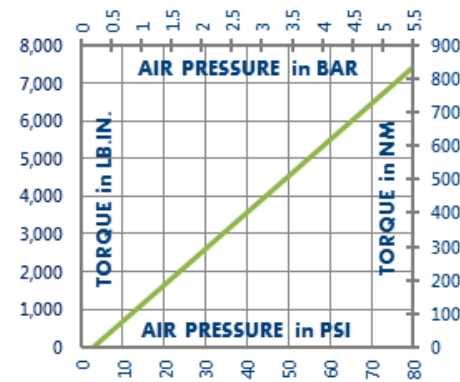
Enclosed

Shipping Weight

74 Pounds



TORQUE vs. AIR PRESSURE



NEW vs. BURNISHED TORQUE

New clutch or brake torque is approximately 40% less than rated design torque until the friction and drive discs are worn in (lapped, burnished). The length of time for wear-in to occur varies by application.

When calculating required torque always use a service factor of 1.5 to 2. It is not recommended to select a product for use at its maximum rated torque for continuous duty.

PRODUCT SELECTION

Torque capacity is only one factor to consider when making a product selection. Insure that you will have right product for the job by contacting our engineering department for application review and selection assistance.



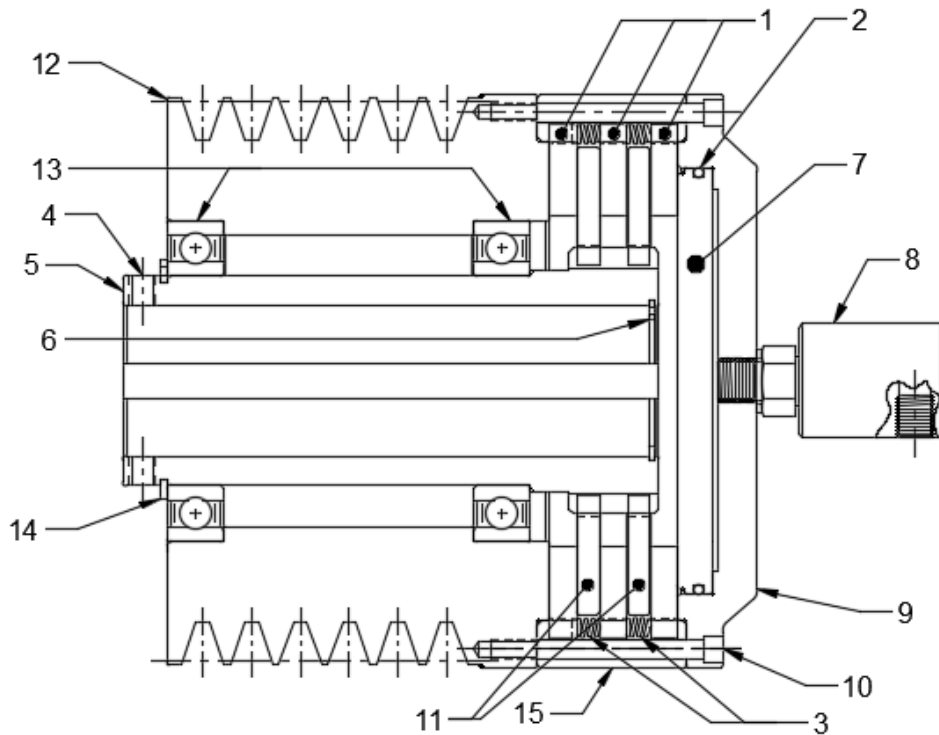
859-291-0849

engineering@machiii.com

www.machiii.com

C6D3K-003

Parts Diagram



REF#	DESCRIPTION & PARTS INCLUDED	QUANTITY	KIT NUMBER
	REPAIR KIT		C6D3K-003-RPRK
1	Friction Disc	3	
2	O-Ring	1	
3	Coil Spring	12	
	DRIVE HUB KIT		C6D3K-003-HUBK
4	Set Screw	2	
5	Drive Hub	1	
6	Retainer Ring	1	
7	PISTON	1	C6D3K-STH-P004
8	ROTATING SEAL	1	RSEAL-031
	CYLINDER KIT		C6D3K-003-CYLK
9	Cylinder	1	
10	Screw	7	
	DRIVE DISC KIT		C6D3K-STH-DRDK
11	Drive Disc	2	
	SLEEVE KIT		C6D3K-003-SLVK
12	Pulley	1	
13	Bearing	2	
14	Retainer Ring	1	
15	Ring Gear	1	

PARTS KITS

The *Repair Kit* contains common wear items for this product. Users are encouraged to stock one or more repair kits considering the number of units installed and the potential downtime if machinery on which the unit is installed is critical equipment. To obtain current pricing and lead time for parts kits, contact customer service.

orders@machiii.com

ADDITIONAL PRODUCT INFORMATION

Click on the links below or copy and paste into your web browser.

To view the Installation & Maintenance Manual for this product:

http://www.machiii.com/PDF/Product-Manuals/CLUTCH_ENDSHAFT_AIR_HD_MANUAL.pdf

For information about the application and use of this and other Mach III products:

<http://machiii.com/Application/Default.asp>



859-291-0849

engineering@machiii.com

www.machiii.com