

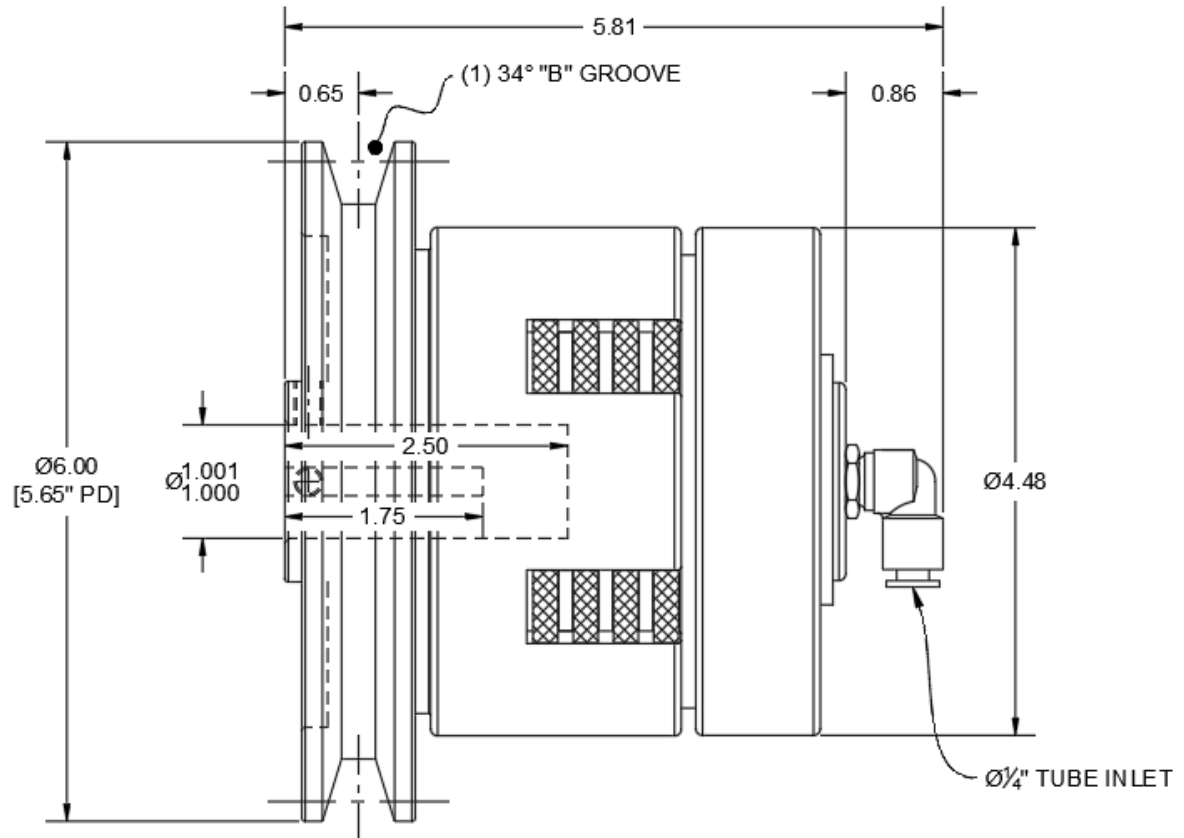


C4D4R-001

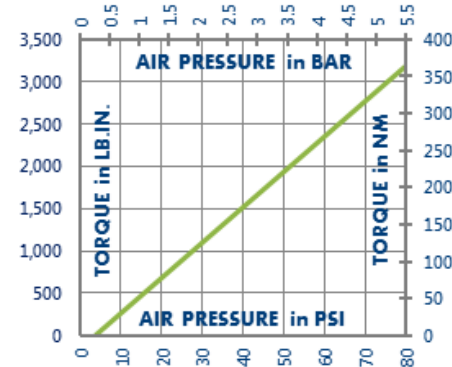
Multiple Disc Clutch with Pulley

34° B Groove Pulley

Engagement/Disengagement	Air/Spring
Facing Type	High Coefficient
Torque @ 80 PSI – Dynamic	3,175 Pound Inches
Minimum Engagement Pressure	4 PSI
Maximum Operating Pressure	80 PSI
Maximum RPM	1,750
Bore with Standard Keyway	1.000
Air Volume New	0.88 Cubic Inches
Air Volume Worn	7.63 Cubic Inches
Finish	Aluminum
Open or Enclosed Construction	Open
Shipping Weight	10 Pounds



TORQUE vs. AIR PRESSURE



NEW vs. BURNISHED TORQUE

New clutch or brake torque is approximately 40% less than rated design torque until the friction and drive discs are worn in (lapped, burnished). The length of time for wear-in to occur varies by application.

When calculating required torque always use a service factor of 1.5 to 2. It is not recommended to select a product for use at its maximum rated torque for continuous duty.

PRODUCT SELECTION

Torque capacity is only one factor to consider when making a product selection. Insure that you will have right product for the job by contacting our engineering department for application review and selection assistance.



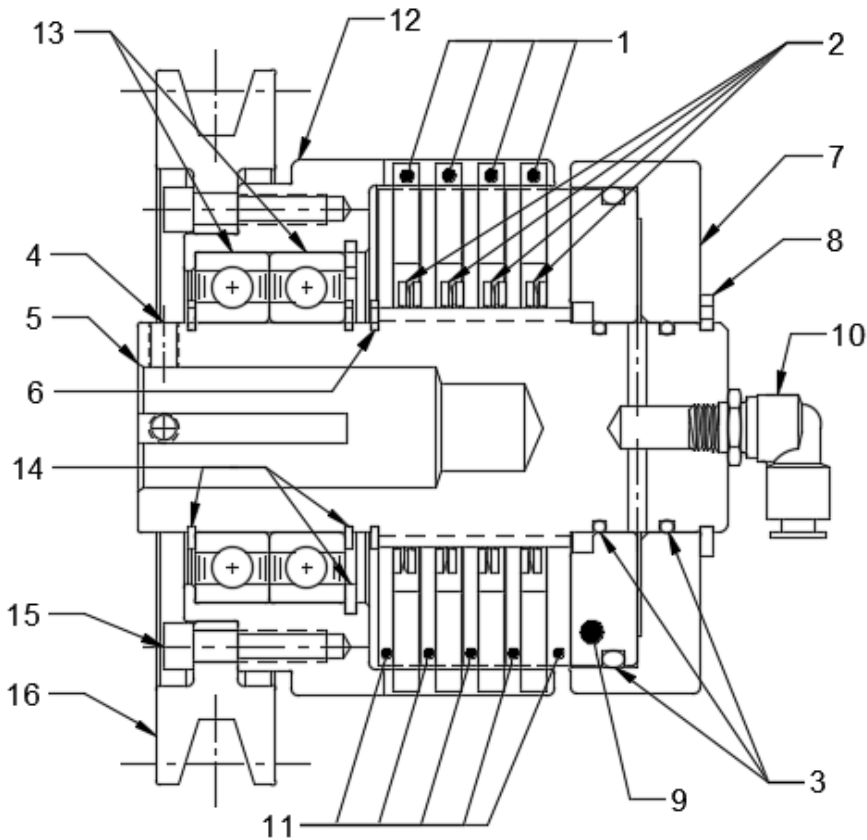
859-291-0849

engineering@machiii.com

www.machiii.com

C4D4R-001

Parts Diagram



REF#	DESCRIPTION & PARTS INCLUDED	QUANTITY	KIT NUMBER
	REPAIR KIT		C4D4R-001-RPRK
1	Friction Disc	4	
2	Wave Spring	4	
3	O-Ring	3	
	DRIVE HUB KIT		C4D4R-001-HUBK
4	Set Screw	2	
5	Drive Hub	1	
6	Retainer Ring	1	
	CYLINDER KIT		4003-CYLK
7	Cylinder	1	
8	Retainer Ring	1	
9	PISTON	1	4003-P004
10	ROTATING SEAL	1	RSEAL-013
	DRIVE DISC KIT		4003-DRDK
11	Drive Disc	5	
	SLEEVE KIT		C4D4R-001-SLVK
12	Sleeve	1	
13	Bearing	2	
14	Retainer Ring	3	
	PULLEY KIT		C4D4R-001-PULK
15	Screw	6	
16	Pulley	1	

PARTS KITS

The *Repair Kit* contains common wear items for this product. Users are encouraged to stock one or more repair kits considering the number of units installed and the potential downtime if machinery on which the unit is installed is critical equipment. To obtain current pricing and lead time for parts kits, contact customer service.

orders@machiii.com

ADDITIONAL PRODUCT INFORMATION

Click on the links below or copy and paste into your web browser.

To view the Installation & Maintenance Manual for this product:

http://www.machiii.com/PDF/Product-Manuals/CLUTCH_ENDSHAFT_BALLBRG_AIR_RD_MANUAL.pdf

For information about the application and use of this and other Mach III products:

<http://machiii.com/Application/Default.asp>



859-291-0849

engineering@machiii.com

www.machiii.com