



C4D2R-002

Accumulating Conveyor Clutch

Sprocket Size

Chain Size	60
Number Teeth	19

Engagement/Disengagement

Air/Spring

Facing Type

High Coefficient

Torque @ 80 PSI – Dynamic

1,317 Pound Inches

Minimum Engagement Pressure

4 PSI

Maximum Operating Pressure

80 PSI

Maximum RPM

1,500

Bore with Standard Keyway

1.187

Air Volume New

0.42 Cubic Inches

Air Volume Worn

3.23 Cubic Inches

Finish

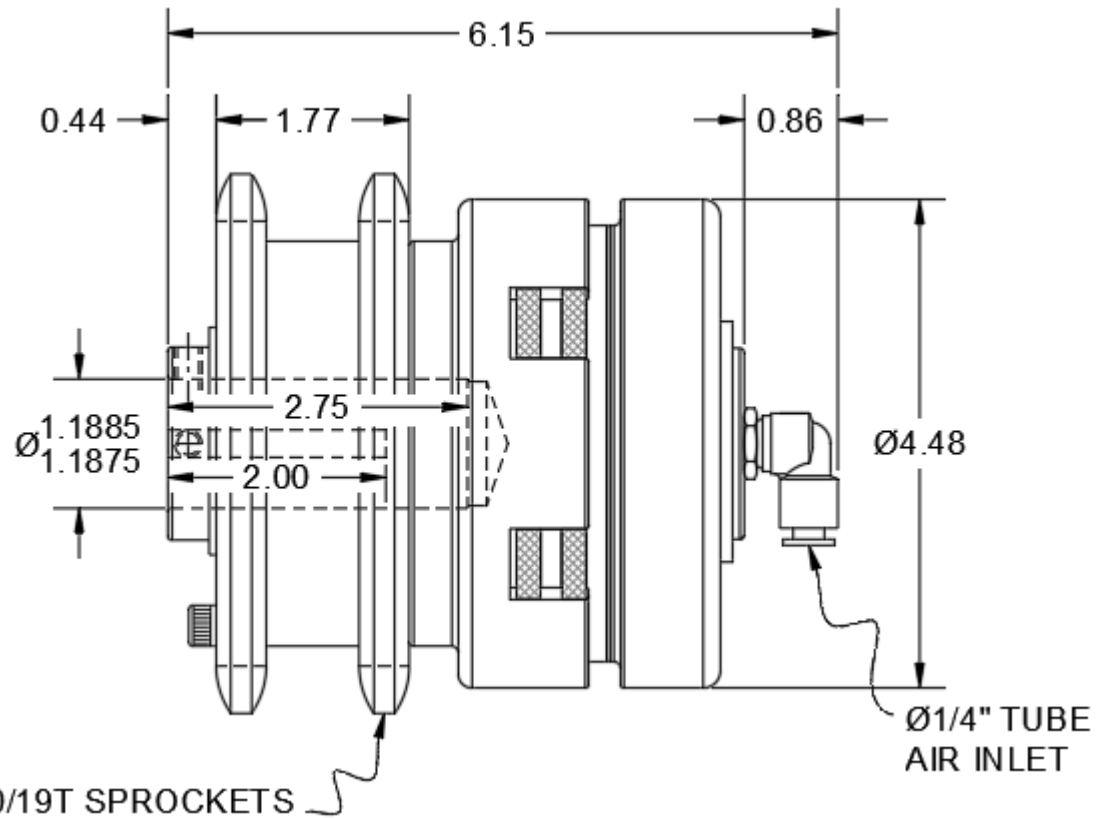
Aluminum

Open or Enclosed Construction

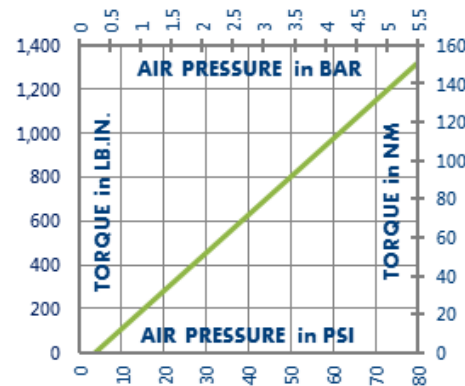
Open

Shipping Weight

10 Pounds



TORQUE vs. AIR PRESSURE



NEW vs. BURNISHED TORQUE

New clutch or brake torque is approximately 40% less than rated design torque until the friction and drive discs are worn in (lapped, burnished). The length of time for wear-in to occur varies by application.

When calculating required torque always use a service factor of 1.5 to 2. It is not recommended to select a product for use at its maximum rated torque for continuous duty.

PRODUCT SELECTION

Torque capacity is only one factor to consider when making a product selection. Insure that you will have right product for the job by contacting our engineering department for application review and selection assistance.



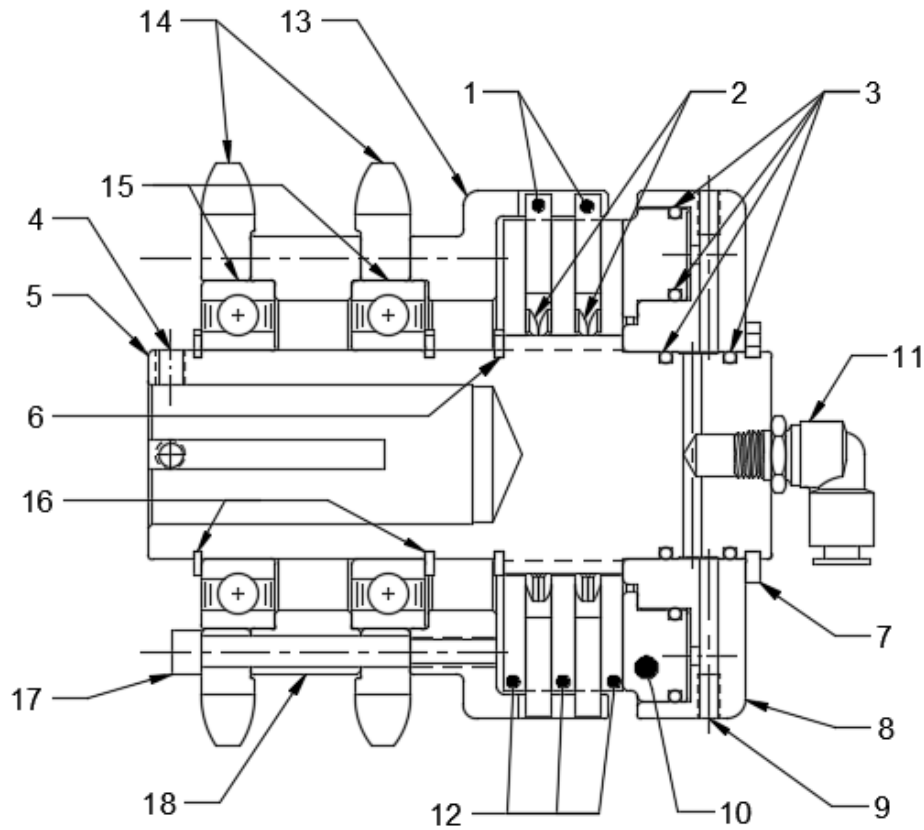
859-291-0849

engineering@machiii.com

www.machiii.com

C4D2R-002

Parts Diagram



REF#	DESCRIPTION & PARTS INCLUDED	QUANTITY	KIT NUMBER
	REPAIR KIT		C4D2R-002-RPRK
1	Friction Disc	2	
2	Wave Spring	2	
3	O-Ring	4	
	DRIVE HUB KIT		C4D2R-002-HUBK
4	Set Screw	2	
5	Drive Hub	1	
6	Retainer Ring	1	
	CYLINDER KIT		C4D2H-STH-CYLK
7	Retainer Ring	1	
8	Cylinder	1	
9	Screw	2	
10	PISTON	1	C4D2H-STH-P004
11	ROTATING SEAL	1	RSEAL-013
	DRIVE DISC KIT		C4D2R-STH-DRDK
12	Drive Disc	3	
	SLEEVE KIT		C4D2R-002-SLVK
13	Sleeve	1	
14	Sprocket	2	
15	Bearing	2	
16	Retainer Ring	2	
17	Screw	6	
18	Spacer	1	

PARTS KITS

The *Repair Kit* contains common wear items for this product. Users are encouraged to stock one or more repair kits considering the number of units installed and the potential downtime if machinery on which the unit is installed is critical equipment. To obtain current pricing and lead time for parts kits, contact customer service.

orders@machiii.com

ADDITIONAL PRODUCT INFORMATION

Click on the links below or copy and paste into your web browser.

To view the Installation & Maintenance Manual for this product:

http://www.machiii.com/PDF/Product-Manuals/CLUTCH_ENDSHAFT_BALLBRG_AIR_RD_MANUAL.pdf

For information about the application and use of this and other Mach III products:

<http://machiii.com/Application/Default.asp>



859-291-0849

engineering@machiii.com

www.machiii.com