



C3C2R-002

Double Female Input C-face Clutch

NOT suitable for pulley output

Engagement/Disengagement

Air/Spring

Facing Type

High Coefficient

Torque @ 80 PSI – Dynamic

573 Pound Inches

Minimum Engagement Pressure

6 PSI

Maximum Operating Pressure

80 PSI

Maximum RPM

1,750

Input Bore/Output Bore

32mm [1.260 inches] / 0.875 inches

Air Volume New

0.25 Cubic Inches

Air Volume Worn

1.39 Cubic Inches

Finish

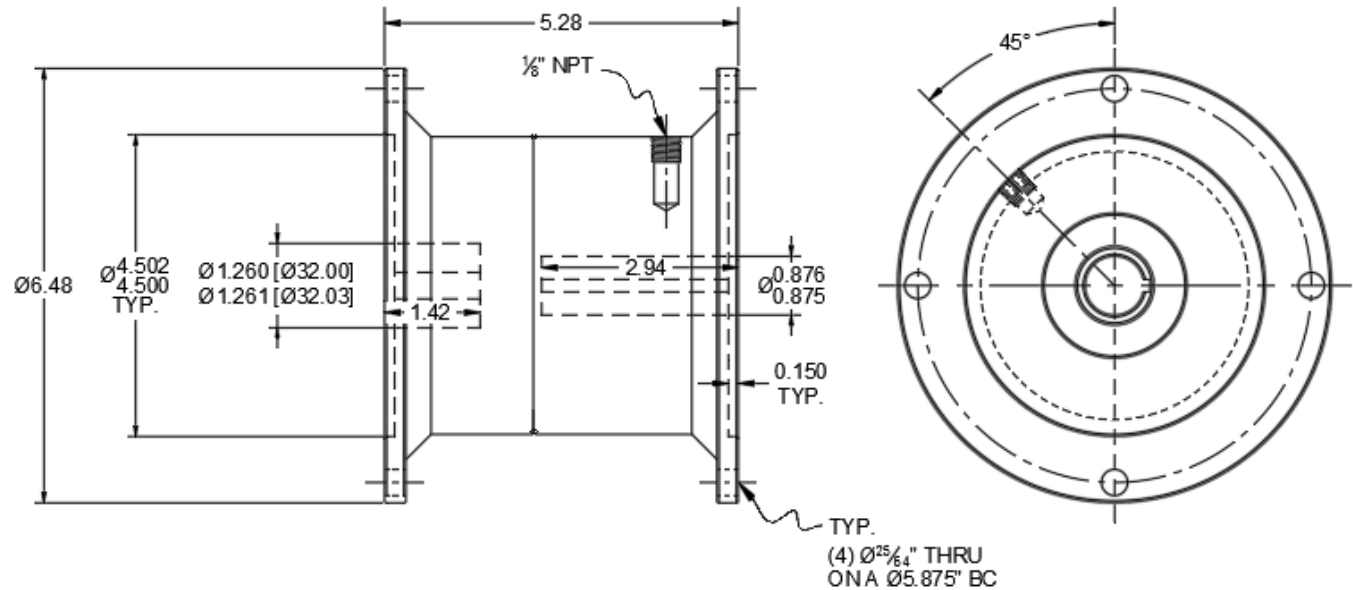
Aluminum

Open or Enclosed Construction

Enclosed

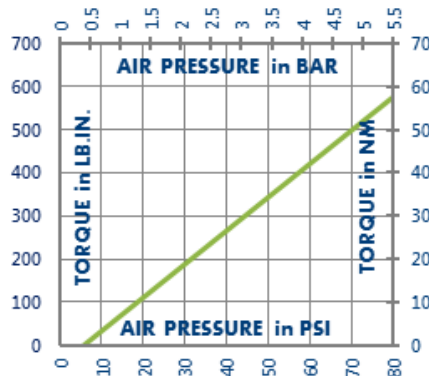
Shipping Weight

11 Pounds



PRODUCT SUPPLIED WITH VITON O-RINGS - MAX. OPERATING TEMPERATURE = 350° F.

TORQUE vs. AIR PRESSURE



NEW vs. BURNISHED TORQUE

New clutch or brake torque is approximately 40% less than rated design torque until the friction and drive discs are worn in (lapped, burnished). The length of time for wear-in to occur varies by application.

When calculating required torque always use a service factor of 1.5 to 2. It is not recommended to select a product for use at its maximum rated torque for continuous duty.

PRODUCT SELECTION

Torque capacity is only one factor to consider when making a product selection. Insure that you will have right product for the job by contacting our engineering department for application review and selection assistance.



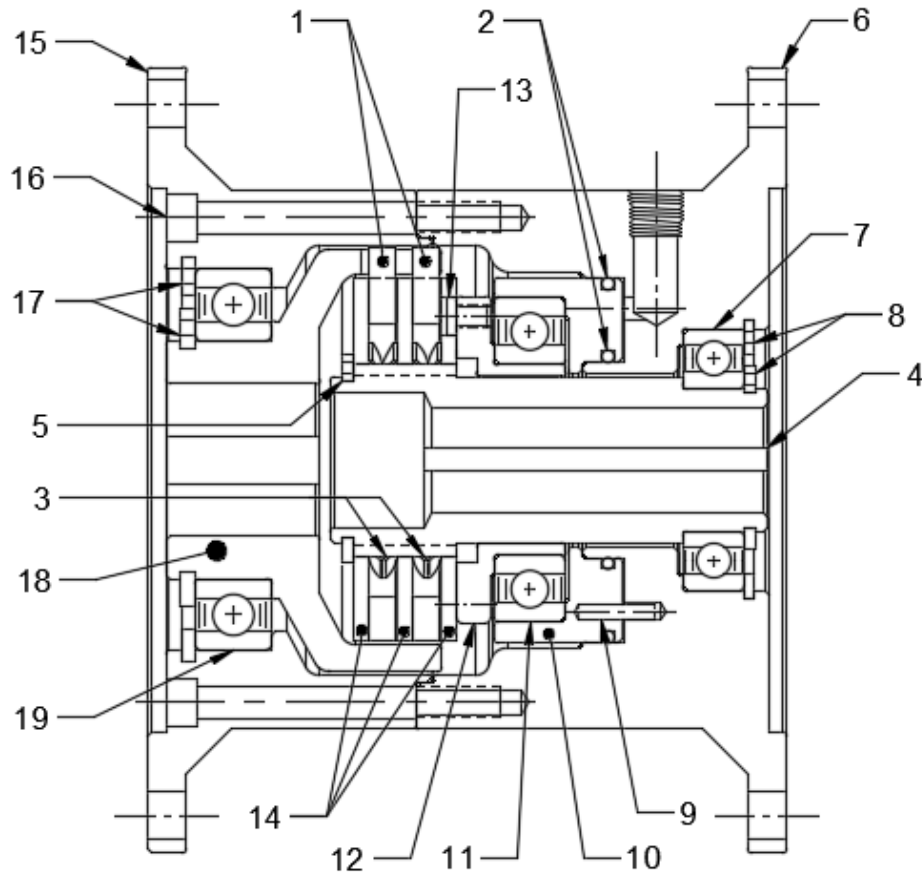
859-291-0849

engineering@machiii.com

www.machiii.com

C3C2R-002

Parts Diagram



REF#	DESCRIPTION & PARTS INCLUDED	QUANTITY	KIT NUMBER
	REPAIR KIT		C3C2R-002-RPRK
1	Friction Disc	2	
2	O-Ring	2	
3	Wave Spring	2	
	DRIVE HUB KIT		C3C2R-002-HUBK
4	Drive Hub	1	
5	Retainer Ring	1	
	CYLINDER KIT		C3C2R-002-CYLK
6	Cylinder	1	
7	Bearing	1	
8	Retainer Ring	2	
	PISTON KIT		C3C2R-002-PSTK
9	Pin	2	
10	Piston	1	
11	Bearing	1	
12	Piston	1	
13	Screw	1	
	DRIVE DISC KIT		C3A2R-STH-DRDK
14	Drive Disc	3	
	SLEEVE KIT		C3C2R-002-SLVK
15	Adapter	1	
16	Screw	3	
17	Retainer Ring	2	
18	Sleeve	1	
19	Bearing	1	

PARTS KITS

The *Repair Kit* contains common wear items for this product. Users are encouraged to stock one or more repair kits considering the number of units installed and the potential downtime if machinery on which the unit is installed is critical equipment. To obtain current pricing and lead time for parts kits, contact customer service.

orders@machiii.com

ADDITIONAL PRODUCT INFORMATION

Click on the links below or copy and paste into your web browser.

To view the Installation & Maintenance Manual for this product:
<http://www.machiii.com/PDF/Product-Manuals/CLUTCH NEMA AIR MANUAL.pdf>

For information about the application and use of this and other Mach III products:
<http://machiii.com/Application/Default.asp>



859-291-0849

engineering@machiii.com

www.machiii.com