



## 58PI-0021

SensiFlex® Tension Control Clutch

### Pilot Input

#### Engagement/Disengagement

Air/Spring

#### Facing Type

Low Coefficient

#### Torque @ 80 PSI – Dynamic

222 Pound Inches

#### Minimum Engagement Pressure

3 - 4 PSI

#### Maximum Operating Pressure

80 PSI

#### Maximum RPM

1,750

#### Bore with Standard Keyway

0.875 Inches

#### Air Volume New

0.22 Cubic Inches

#### Air Volume Worn

1.17 Cubic Inches

#### Finish

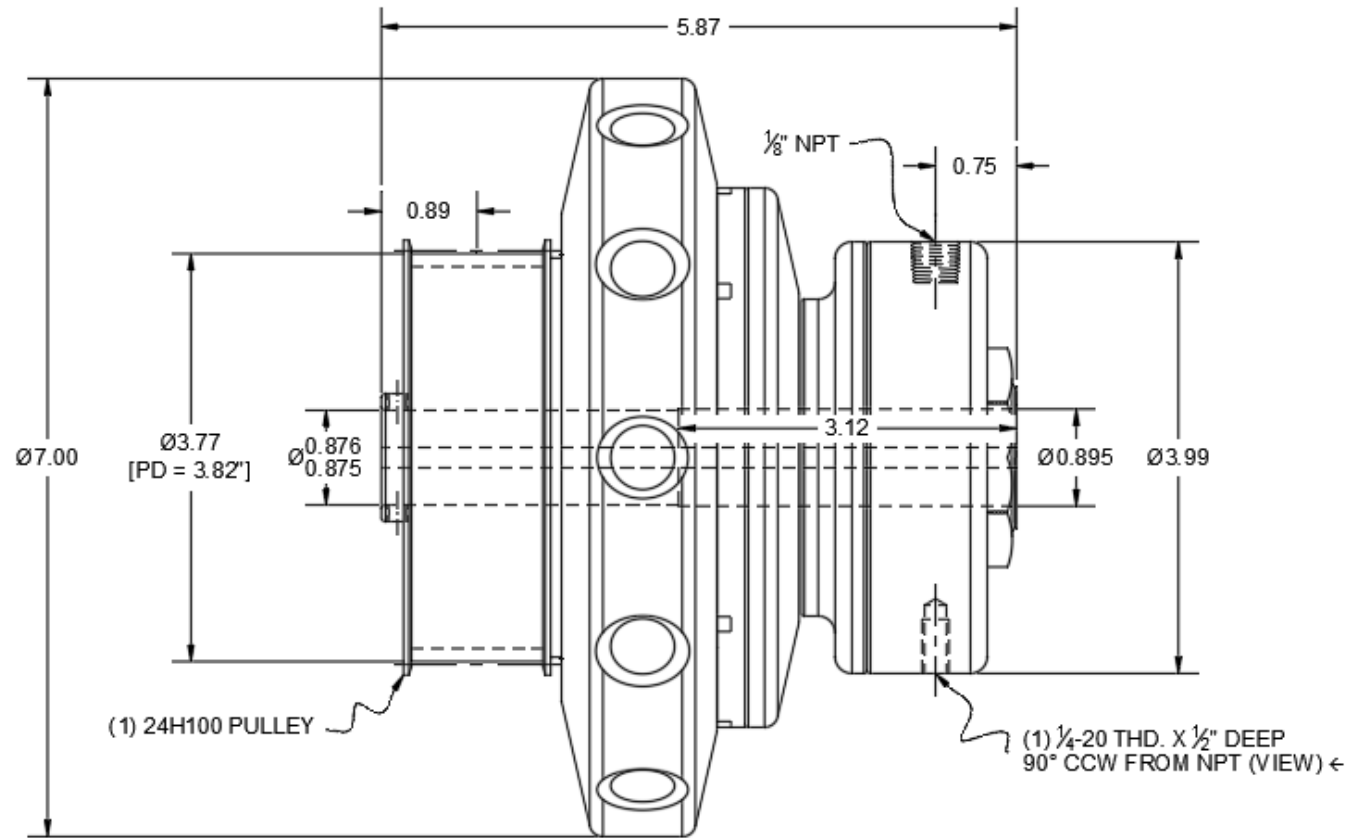
Iron

#### Open or Enclosed Construction

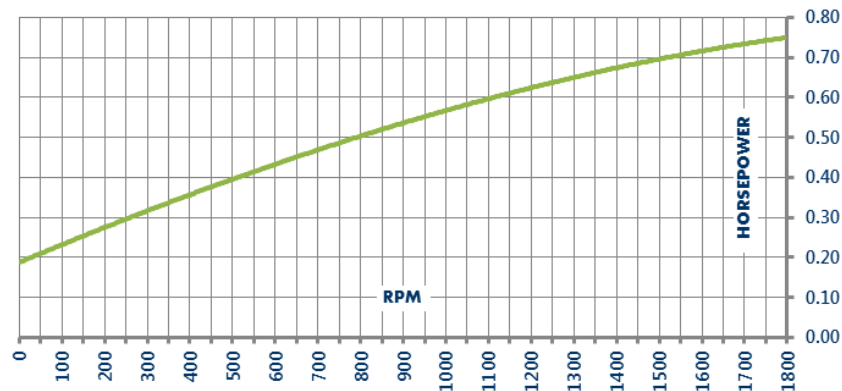
Open

#### Shipping Weight

12 Pounds



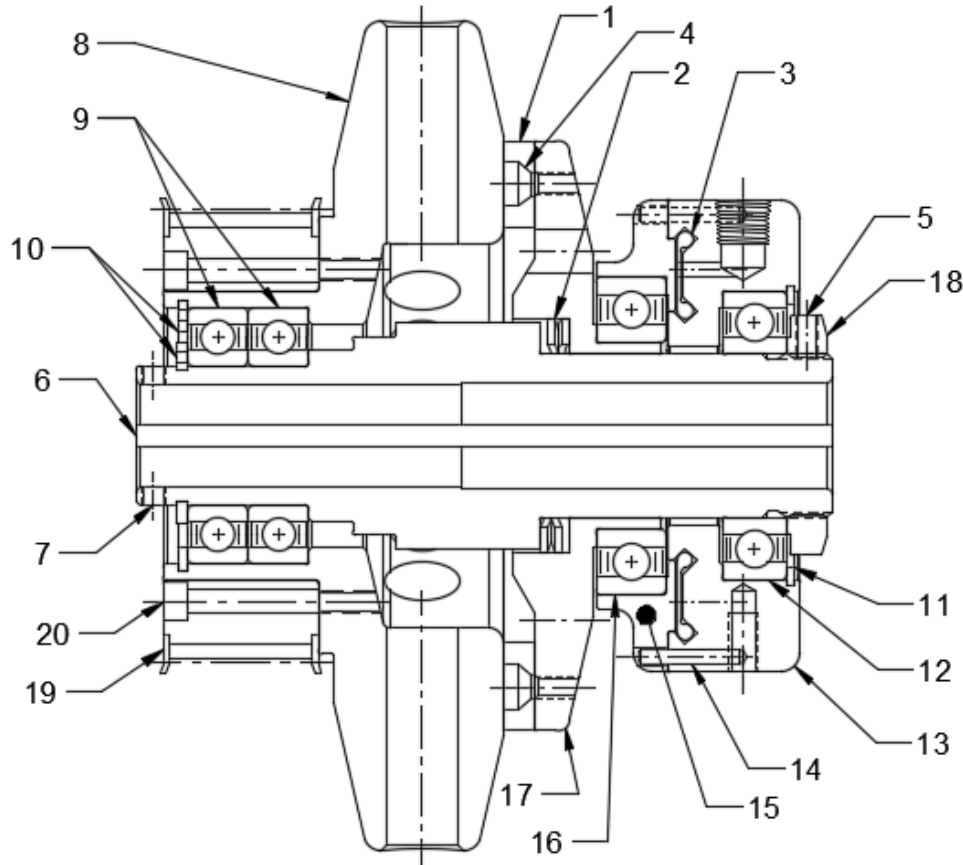
### CONTINUOUS THERMAL HORSEPOWER



859-291-0849  
 engineering@machiii.com  
 www.machiii.com

# 58PI-0021

## Parts Diagram



REF#	DESCRIPTION & PARTS INCLUDED	QUANTITY	KIT NUMBER
	<b>REPAIR KIT</b>		<b>58PI-0021-RPRK</b>
1	Friction Disc	1	
2	Wave Spring	1	
3	Diaphragm	1	
4	Screw	6	
5	Nylon Point Set Screw	1	
	<b>DRIVE HUB KIT</b>		<b>58PI-0021-HUBK</b>
6	Drive Hub	1	
7	Set Screw	2	
	<b>SLEEVE KIT</b>		<b>58PI-0021-SLVK</b>
8	Sleeve	1	
9	Bearing	2	
10	Retainer Ring	2	
	<b>CYLINDER KIT</b>		<b>58PI-CYLK</b>
11	Retainer Ring	1	
12	Bearing	1	
13	Cylinder	1	
14	Pin	2	
	<b>PISTON KIT</b>		<b>58PI-PSTK</b>
15	Piston	1	
16	Bearing	1	
17	Drive Disc	1	
	<b>FACING KIT</b>		<b>58PI-0021-FCGK</b>
1	Friction Disc	1	
4	Screw	6	
5	Nylon Point Set Screw	1	
	<b>NUT KIT</b>		<b>58PI-NUTK</b>
18	Nut	1	
5	Nylon Point Set Screw	1	
	<b>PULLEY KIT</b>		<b>58PI-0021-PULK</b>
19	Pulley	1	
20	Screw	6	

### PARTS KITS

The *Repair Kit* contains common wear items for this product. Users are encouraged to stock one or more repair kits considering the number of units installed and the potential downtime if machinery on which the unit is installed is critical equipment. To obtain current pricing and lead time for parts kits, contact customer service.

[orders@machiii.com](mailto:orders@machiii.com)

### ADDITIONAL PRODUCT INFORMATION

Click on the links below or copy and paste into your web browser.

To view the Installation & Maintenance Manual for this product:

[http://www.machiii.com/PDF/Product-Manuals/CLUTCH\\_SENSIFLEX\\_PI\\_MANUAL.pdf](http://www.machiii.com/PDF/Product-Manuals/CLUTCH_SENSIFLEX_PI_MANUAL.pdf)

For information about the application and use of this and other Mach III products:

<http://machiii.com/Application/Default.asp>



859-291-0849

[engineering@machiii.com](mailto:engineering@machiii.com)

[www.machiii.com](http://www.machiii.com)