



5144

Enclosed Through Shaft Mount Clutch

Minimum Sprocket Sizes

Chain Size	50	60	80	100
Minimum Teeth	31	27	21	18

Engagement/Disengagement

Air/Spring

Facing Type

High Coefficient

Torque @ 80 PSI – Dynamic

4,863 Pound Inches

Minimum Engagement Pressure

3 PSI

Maximum Operating Pressure

80 PSI

Maximum RPM

1,750

Bore with Standard Keyway

1.438

Air Volume New

1.25 Cubic Inches

Air Volume Worn

11.25 Cubic Inches

Finish

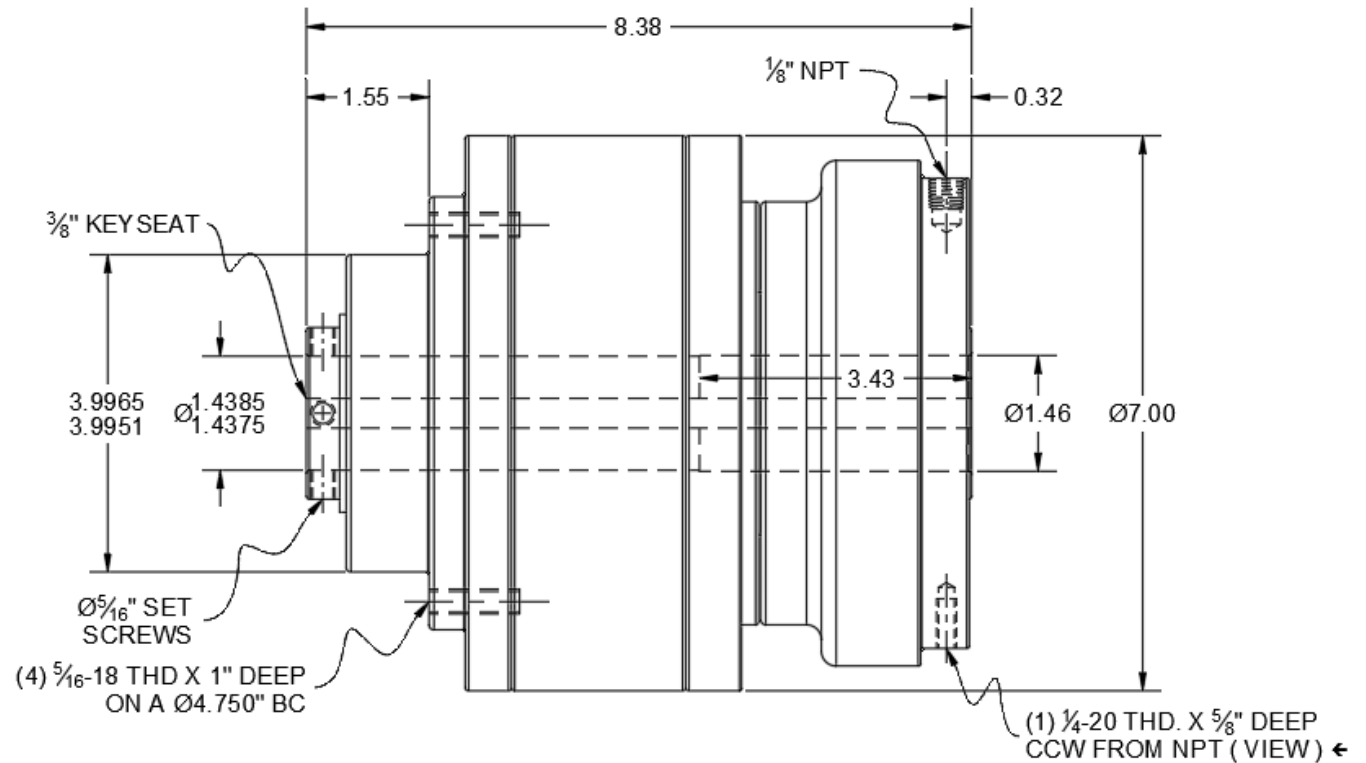
Aluminum

Open or Enclosed Construction

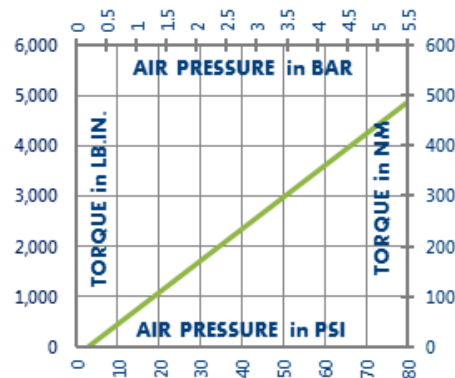
Enclosed

Shipping Weight

38 Pounds



TORQUE vs. AIR PRESSURE



NEW vs. BURNISHED TORQUE

New clutch or brake torque is approximately 40% less than rated design torque until the friction and drive discs are worn in (lapped, burnished). The length of time for wear-in to occur varies by application.

When calculating required torque always use a service factor of 1.5 to 2. It is not recommended to select a product for use at its maximum rated torque for continuous duty.

PRODUCT SELECTION

Torque capacity is only one factor to consider when making a product selection. Insure that you will have right product for the job by contacting our engineering department for application review and selection assistance.



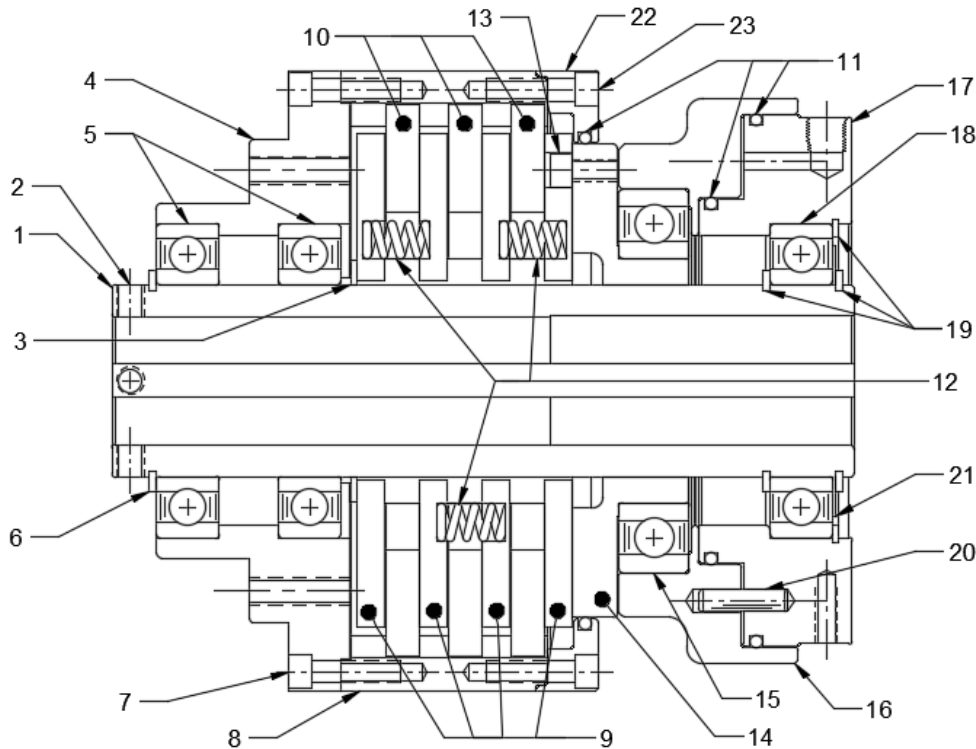
859-291-0849

engineering@machiii.com

www.machiii.com

5144

Parts Diagram



REF#	DESCRIPTION & PARTS INCLUDED	QUANTITY	KIT NUMBER
	DRIVE HUB KIT		5144-HUBK
1	Drive Hub	1	
2	Set Screw	3	
3	Retainer Ring	1	
	SLEEVE KIT		5144-SLVK
4	Sleeve	1	
5	Bearing	2	
6	Retainer Ring	1	
7	Screw	6	
8	Ring Gear	1	
	DRIVE DISC KIT		5144-DRDK
9	Drive Disc	4	
	REPAIR KIT		5144-RPRK
10	Friction Disc	3	
11	O-Ring	3	
12	Coil Spring	9	
	PISTON KIT		5143-PSTK
13	Screw	1	
14	Cone	1	
15	Bearing	1	
16	Piston	1	
	CYLINDER KIT		5143-CYLK
17	Cylinder	1	
18	Bearing	1	
19	Retainer Ring	3	
20	Pin	2	
21	Race	1	
	COVER KIT		5143-COVK
22	Cover	1	
23	Screw	6	

PARTS KITS

The *Repair Kit* contains common wear items for this product. Users are encouraged to stock one or more repair kits considering the number of units installed and the potential downtime if machinery on which the unit is installed is critical equipment. To obtain current pricing and lead time for parts kits, contact customer service.

orders@machiii.com

ADDITIONAL PRODUCT INFORMATION

Click on the links below or copy and paste into your web browser.

To view the Installation & Maintenance Manual for this product:

http://www.machiii.com/PDF/Product-Manuals/CLUTCH_THRUSHAFT_AIR_HD_MANUAL.pdf

For information about the application and use of this and other Mach III products:

<http://machiii.com/Application/Default.asp>



859-291-0849

engineering@machiii.com

www.machiii.com