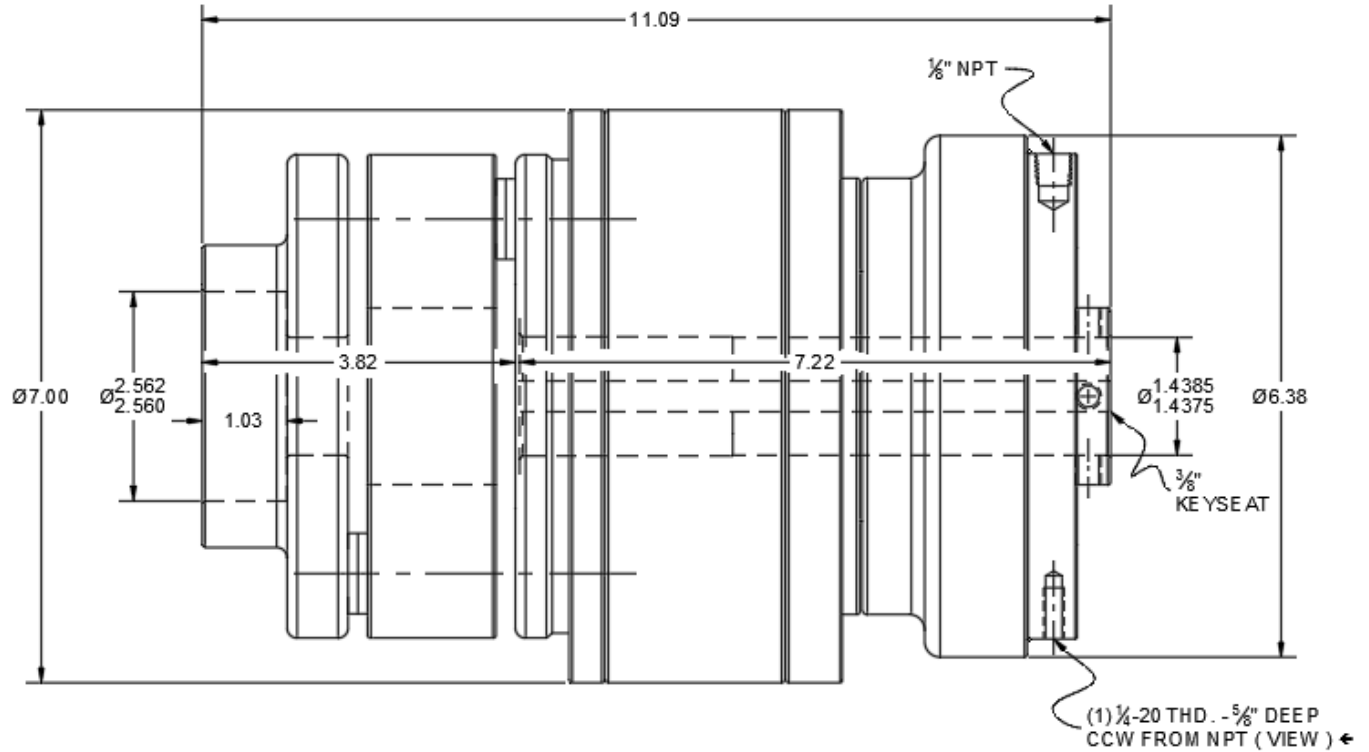




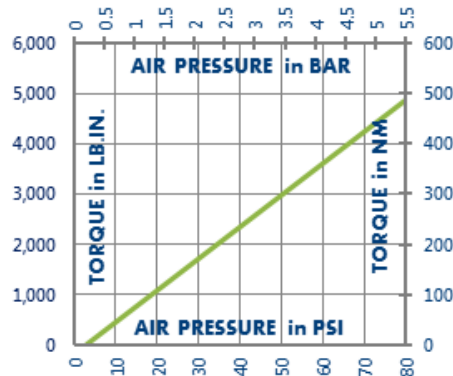
5143

Enclosed Through Shaft Mount Clutch
With Elastomeric coupling

Engagement/Disengagement	Air/Spring
Facing Type	High Coefficient
Torque @ 80 PSI – Dynamic	4,863 Pound Inches
Minimum Engagement Pressure	3 PSI
Maximum Operating Pressure	80 PSI
Maximum RPM	1,750
Bore with Standard Keyway	1.438
Air Volume New	1.25 Cubic Inches
Air Volume Worn	11.25 Cubic Inches
Finish	Aluminum
Open or Enclosed Construction	Enclosed
Shipping Weight	41 Pounds



TORQUE vs. AIR PRESSURE



NEW vs. BURNISHED TORQUE

New clutch or brake torque is approximately 40% less than rated design torque until the friction and drive discs are worn in (lapped, burnished). The length of time for wear-in to occur varies by application.

When calculating required torque always use a service factor of 1.5 to 2. It is not recommended to select a product for use at its maximum rated torque for continuous duty.

PRODUCT SELECTION

Torque capacity is only one factor to consider when making a product selection. Insure that you will have right product for the job by contacting our engineering department for application review and selection assistance.



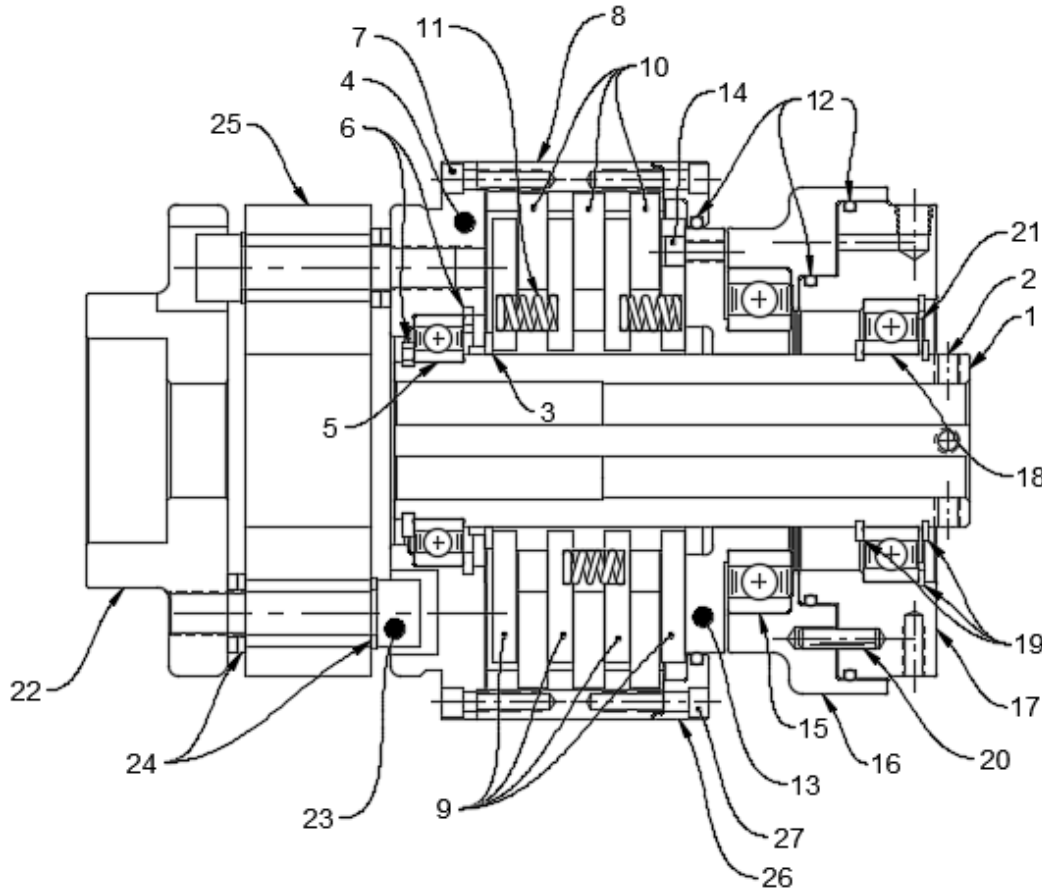
859-291-0849

engineering@machiii.com

www.machiii.com

5143

Parts Diagram



REF#	DESCRIPTION & PARTS INCLUDED	QUANTITY	KIT NUMBER
DRIVE HUB KIT			5143-HUBK
1	Drive Hub	1	
2	Set Screw	3	
3	Retainer Ring	1	
SLEEVE KIT			5143-SLVK
4	Sleeve	1	
5	Bearing	1	
6	Retainer Ring	2	
7	Screw	6	
8	Ring Gear	1	
DRIVE DISC KIT			5143-DRDK
9	Drive Disc	4	
REPAIR KIT			5143-RPRK
10	Friction Disc	3	
11	Coil Spring	9	
12	O-Ring	3	
PISTON KIT			5143-PSTK
13	Cone	1	
14	Screw	1	
15	Bearing	1	
16	Piston	1	
CYLINDER KIT			5143-CYLK
17	Cylinder	1	
18	Bearing	1	
19	Retainer Ring	3	
20	Pin	2	
21	Race	1	
COUPLING KIT			5143-CPLK
22	Coupling	1	
23	Screw	6	
24	Washer	15	
25	Elastomeric Element	1	
COVER KIT			5143-COVK
26	Cover	1	
27	Screw	6	

PARTS KITS

The *Repair Kit* contains common wear items for this product. Users are encouraged to stock one or more repair kits considering the number of units installed and the potential downtime if machinery on which the unit is installed is critical equipment. To obtain current pricing and lead time for parts kits, contact customer service.

orders@machiii.com

ADDITIONAL PRODUCT INFORMATION

Click on the links below or copy and paste into your web browser.

To view the Installation & Maintenance Manual for this product:

http://www.machiii.com/PDF/Product-Manuals/CLUTCH_FLEXCOUPL_AIR_HD_MANUAL.pdf

For information about the application and use of this and other Mach III products:

<http://machiii.com/Application/Default.asp>



859-291-0849

engineering@machiii.com

www.machiii.com