



4115

Through Shaft Pilot Mount Clutch-Brake Stop & Start the Pilot (Sprocket)

Minimum Sprocket Sizes

Chain Size	60
Number Teeth	17

Clutch Engagement/Brake Engagement

Air/Spring

Facing Type

High Coefficient

Clutch Torque @ 80 PSI (max) – Dynamic

771 Pound Inches

Brake Torque @ Spring Pressure (fixed)

94 Pound Inches

Brake Release Pressure

15 - 20 PSI

Maximum RPM

1,750

Bore with Standard Keyway

1.000 Inches

Air Volume New

0.47 Cubic Inches

Air Volume Worn

1.63 Cubic Inches

Finish

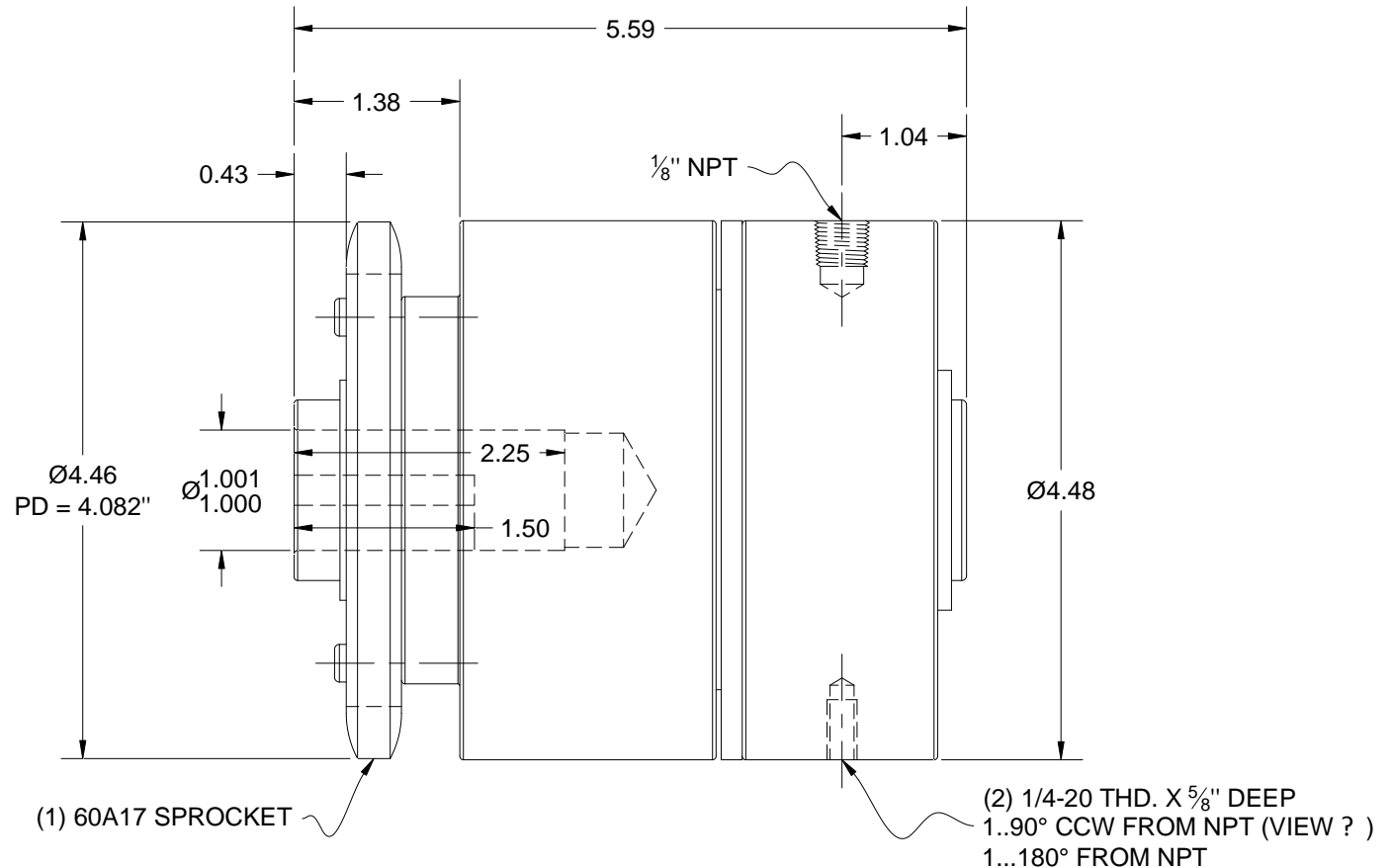
Aluminum

Open or Enclosed Construction

Open

Shipping Weight

12 Pounds



Repair Parts

The kit shown below contains the common wear parts for this product. All other parts are available. Contact Mach III for complete parts lists, installation & maintenance documents, parts pricing and availability.

Repair Kit Part # 4115-RPRK

Contents:

- 2 High Coefficient Friction Discs (clutch)
- 1 High Coefficient Friction Disc (brake)
- 2 O-Rings
- 12 Coil Springs

Product Selection

New clutch or brake torque is approximately 40% less than rated design torque until the friction and drive discs are worn in (lapped, burnished). The length of time for wear-in to occur varies by application.

When calculating required torque always use a service factor of 1.5 to 2. It is not recommended to select a product for use at its maximum rated torque for continuous duty.

Take Advantage of Mach III's Expertise

Contact Mach III's factory based engineering department for experienced application review and selection assistance.



US Toll Free: 866.291.0849
International: +1 859.291.0849

www.machiii.com
engineering@machiii.com
orders@machiii.com
info@machiii.com