

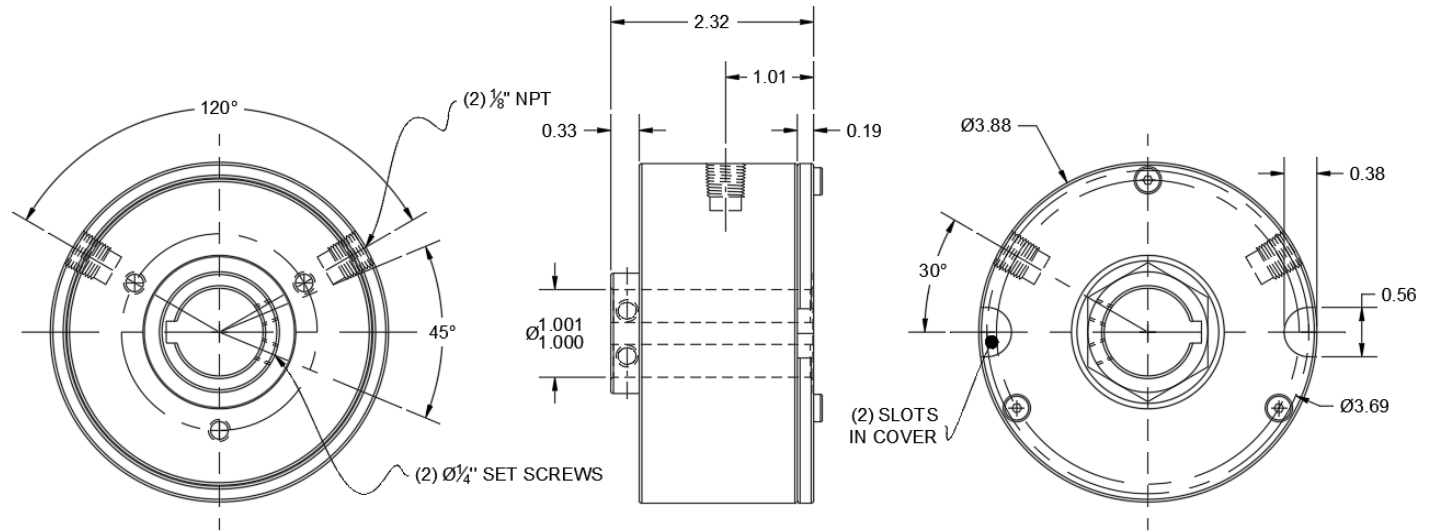


3707

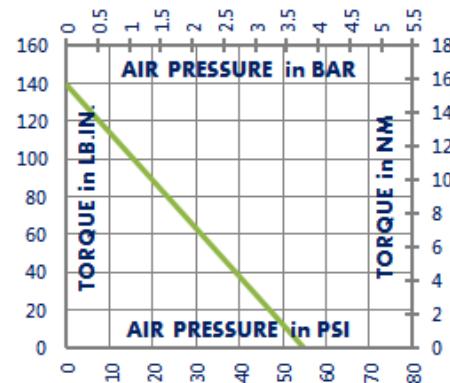
Spring Engaged Brake

Shaft Mount

Engagement/Disengagement	Spring/Air
Facing Type	High Coefficient
Torque – Dynamic	139 Pound Inches
Minimum Disengagement Pressure	55 PSI
Maximum Operating Pressure	80 PSI
Maximum RPM	1,750
Bore with Standard Keyway	1.000 Inches
Air Volume New	0.06 Cubic Inches
Air Volume Worn	0.14 Cubic Inches
Finish	Aluminum
Open or Enclosed Construction	Open
Mounting Bolt Circle	3.687 Inches
Shipping Weight	3 Pounds



TORQUE vs. SPRING PRESSURE



NEW vs. BURNISHED TORQUE

New clutch or brake torque is approximately 40% less than rated design torque until the friction and drive discs are worn in (lapped, burnished). The length of time for wear-in to occur varies by application.

When calculating required torque always use a service factor of 1.5 to 2. It is not recommended to select a product for use at its maximum rated torque for continuous duty.

PRODUCT SELECTION

Torque capacity is only one factor to consider when making a product selection. Insure that you will have right product for the job by contacting our engineering department for application review and selection assistance.



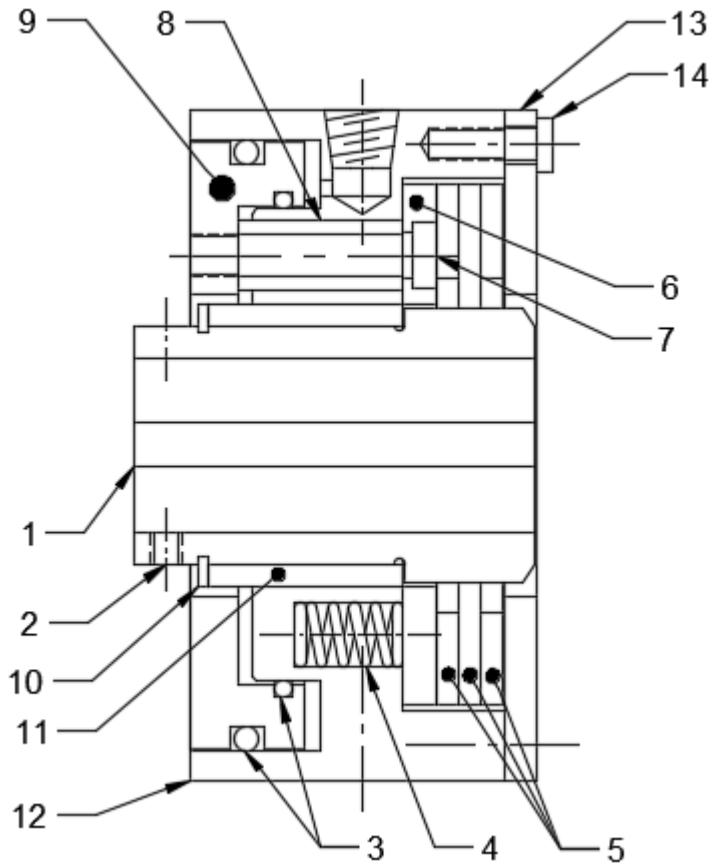
859-291-0849

engineering@machiii.com

www.machiii.com

3707

Parts Diagram



REF#	DESCRIPTION & PARTS INCLUDED	QUANTITY	KIT NUMBER
DRIVE HUB KIT			3707-HUBK
1	Drive Hub	1	
2	Set Screw	2	
REPAIR KIT			3707-RPRK
3	O-Ring	2	
4	Coil Spring	6	
5	BONDED FRICTION / DRIVE DISC	1	
PISTON KIT			3707-PSTK
6	Pressure Plate	1	
7	Screw	3	
8	Spacer	3	
9	Piston	1	
CYLINDER KIT			3707-CYLK
10	Retainer Ring	1	
11	Bushing	1	
12	Cylinder	1	
COVER KIT			3707-COVK
13	Cover	1	
14	Screw	3	
FACING KIT			3707-FCGK
5	BONDED FRICTION / DRIVE DISC	1	

PARTS KITS

The *Repair Kit* contains common wear items for this product. Users are encouraged to stock one or more repair kits considering the number of units installed and the potential downtime if machinery on which the unit is installed is critical equipment. To obtain current pricing and lead time for parts kits, contact customer service.

orders@machiii.com

ADDITIONAL PRODUCT INFORMATION

Click on the links below or copy and paste into your web browser.

To view the Installation & Maintenance Manual for this product:

http://www.machiii.com/PDF/Product-Manuals/BRAKES_FLANGE_SPRING_MANUAL.pdf

For information about the application and use of this and other Mach III products:

<http://machiii.com/Application/Default.asp>



859-291-0849

engineering@machiii.com

www.machiii.com