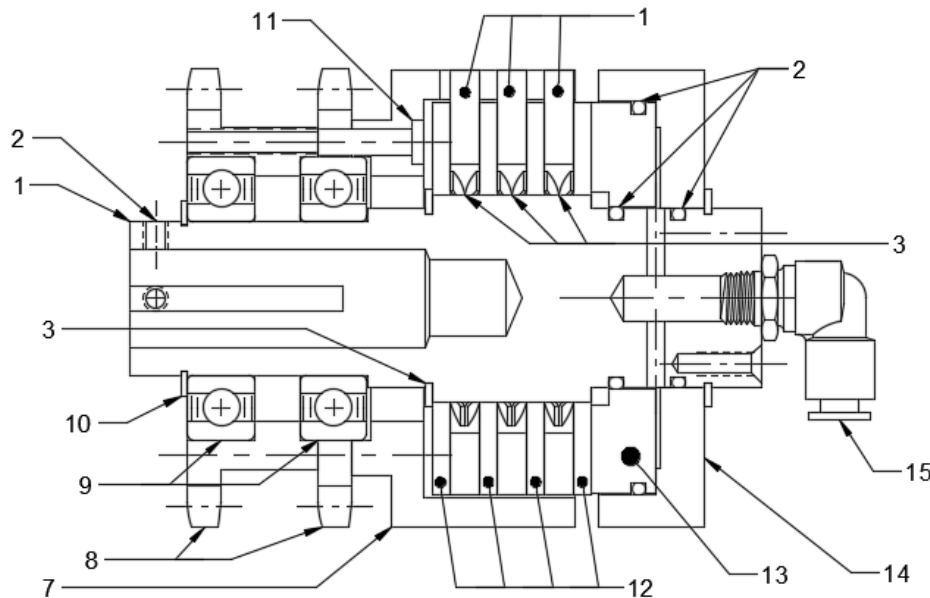


3009

Parts Diagram



REF#	DESCRIPTION & PARTS INCLUDED	QUANTITY	KIT NUMBER
	REPAIR KIT		3009-RPRK
1	Friction Disc	3	
2	O-Ring	3	
3	Wave Spring	3	
	DRIVE HUB KIT		3009-HUBK
4	Drive Hub	1	
5	Set Screw	2	
6	Retainer Ring	1	
	SLEEVE KIT		3009-SLVK
7	Sleeve	1	
8	Sprocket	2	
9	Bearing	2	
10	Retainer Ring	1	
11	Screw	3	
	DRIVE DISC KIT		3009-DRDK
12	Drive Disc	4	
13	PISTON	1	3009-P004
14	CYLINDER	1	3009-P003
15	AIR SEAL	1	RSEAL-013

PARTS KITS

The *Repair Kit* contains common wear items for this product. Users are encouraged to stock one or more repair kits considering the number of units installed and the potential downtime if machinery on which the unit is installed is critical equipment. To obtain current pricing and lead time for parts kits, contact customer service.

orders@machiii.com

ADDITIONAL PRODUCT INFORMATION

Click on the links below or copy and paste into your web browser.

To view the Installation & Maintenance Manual for this product:

http://www.machiii.com/PDF/Product-Manuals/CLUTCH_ENDSHAFT_BALLBRG_AIR_RD_MANUAL.pdf

For information about the application and use of this and other Mach III products:

<http://machiii.com/Application/Default.asp>



859-291-0849

engineering@machiii.com

www.machiii.com