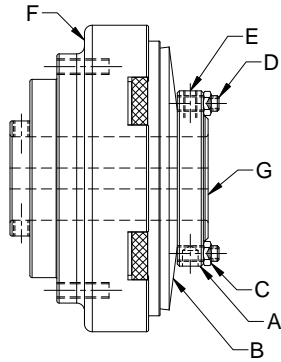


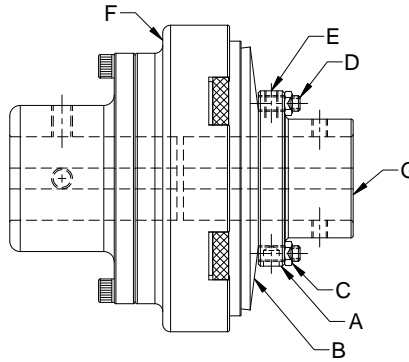


Torque Setting Instructions for Torque Limiters

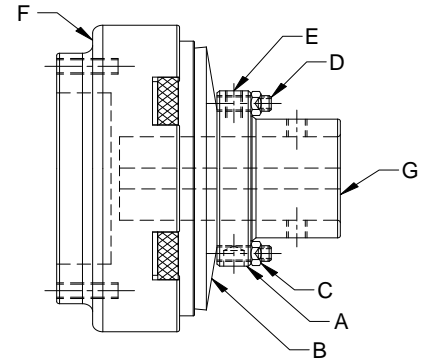
T6A1G-STL, T6A2G-STL, T6B1G-STL, T6B2G-STL, T6H1G-STL, T6H2G-STL, T8A1K-STL, T8A2K-STL, V6G1G-STL, V6G2G-STL, V6R1G-STL, V6R2G-STL, V8G1K-STL, V8G2K-STL, V8R1K-STL, V8R2K-STL and non-catalog variations of these torque limiter designs.



PILOT MODELS



COUPLING MODELS



ADAPTER MODELS

1. Make sure the adjustment nut (REF. A) is snug against the disc spring (REF. B).
2. Make sure the six jam nuts (REF. C) mounted on the six set screws (REF. D) which are placed axially in adjustment nut (REF. A) are loose.
3. Screw the six set screws (REF. D) in the adjustment nut (REF. A) until they contact the disc spring (REF. B).
4. Using a circular pattern, tighten the six set screws (REF. D) in the adjustment nut (REF. A) one 1/4-turn each.
NOTE: If needed, fine tune the torque value of the unit in 1/8-turn increments of the six set screws (REF. D).
5. Check torque value after each 1/4-turn increment of all six set screws (REF. D) while holding adapter/sleeve (REF. F) stationary and turning drive hub (REF. G) with a torque wrench.
NOTE: A torque wrench with a multiplier may be needed for higher torque settings.
6. Once desired torque is reached, confirm each of the six set screws (REF. D) are in contact with the disc spring (REF. B).
7. Tighten the jam nuts (REF. C) mounted on the six set screws (REF. D) firmly against the adjustment nut (REF. A).
8. Tighten the nylon-tipped set screw (REF. E) in the outside diameter of the adjustment nut (REF. A).

Mach III Clutch, Inc.

859-291-0849 • engineer@machiii.com • www.machiii.com



These products include rotating equipment and should be guarded according to OSHA requirements and other Federal, State and local regulations. It is the responsibility of the user to provide the necessary guarding.