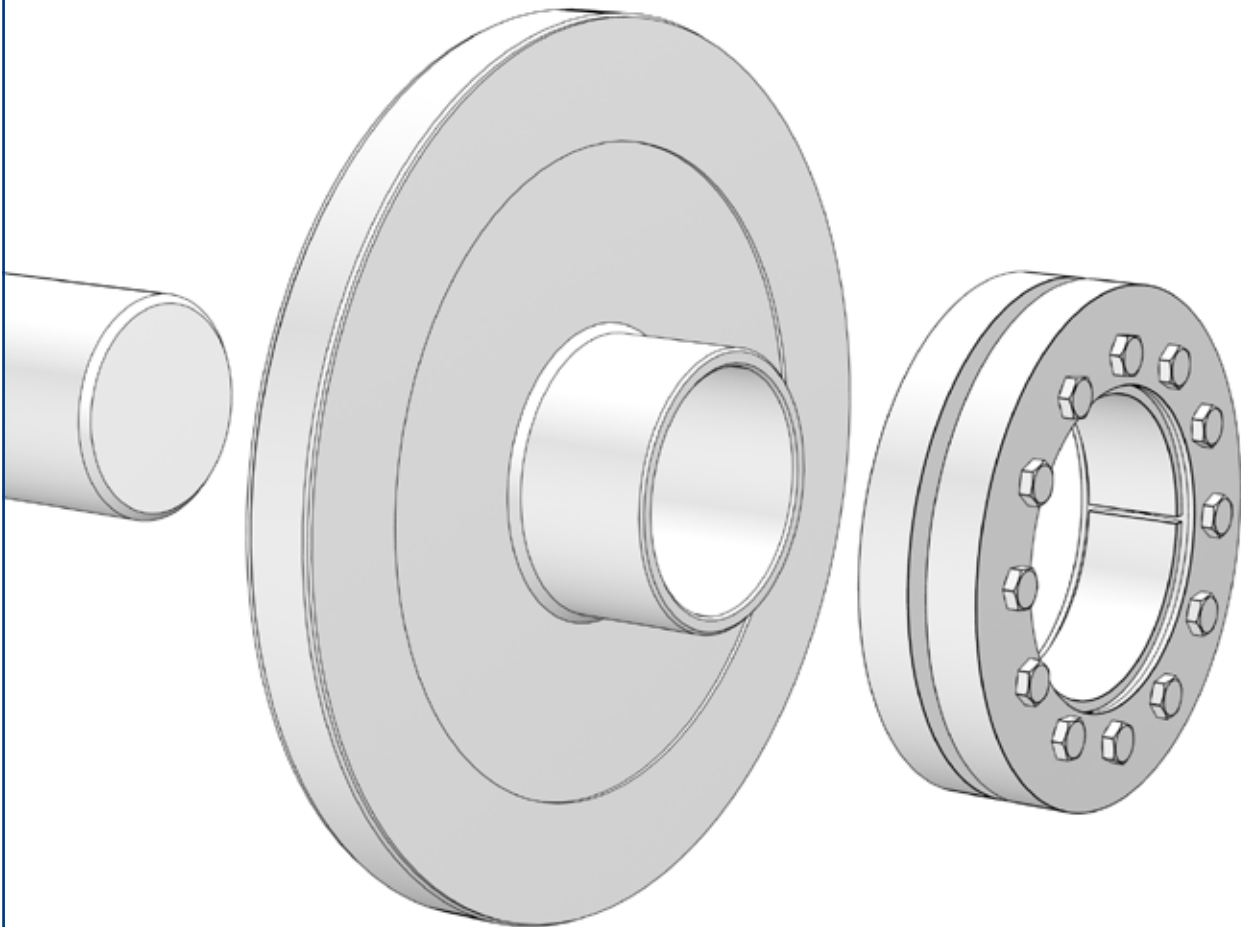


# Installation, Removal, Maintaining Shrink discs, 3-part



**EN**  
12|2014



RfN 4051



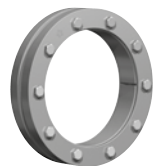
RfN 4061



RfN 4071



RfN 4091



RfN 4073

### Safety instructions

Rotating machine parts may injure operators and service staff! Therefore:

- Switch off the drive before assembly work.
- Safeguard the machine against accidental switch-on.
- Mount all covers and protection devices before switching on the machine.
- RINGFEDER® products may only be mounted by specialist staff and for suitable applications.

### Attention

- Study the assembly instructions thoroughly.
- Contravention of assembly or safety instructions will void all claims under warranty.
- RINGFEDER® reserves the right to technical changes to improve the product.
- RINGFEDER® shrink discs are accepted state of the art.

For any questions or technical problems, please contact our technicians and engineers. See overleaf for contact details.

### Lubricants used ex factory (cone and bolt)

Designation	CAS number (ROHS):
Molykote "G Rapid Plus" or comparable lubricant ( $\mu = 0.05$ )	1305-62-0

### Legend



Installation



Removal



Maintaining



Cleaning



Oil hub and shaft lightly, if necessary (do not use oil containing MoS<sub>2</sub>).



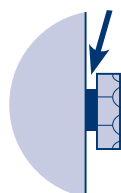
Grease marked surfaces with Molykote.



Repeat the described procedure as many times as specified.



Check for permissible peak-to-valley height.



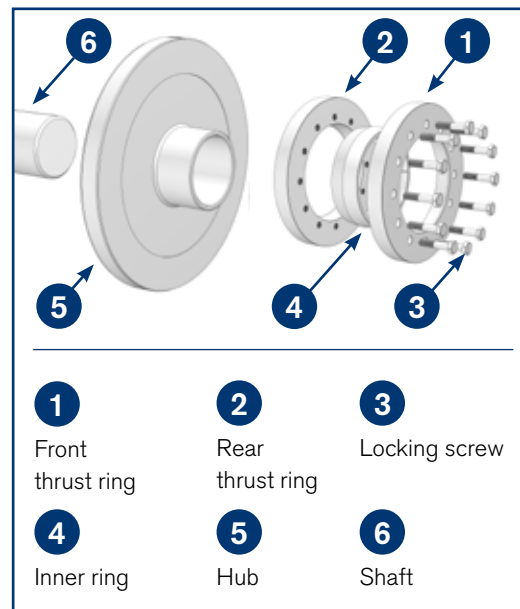
Loosen bolts slightly.

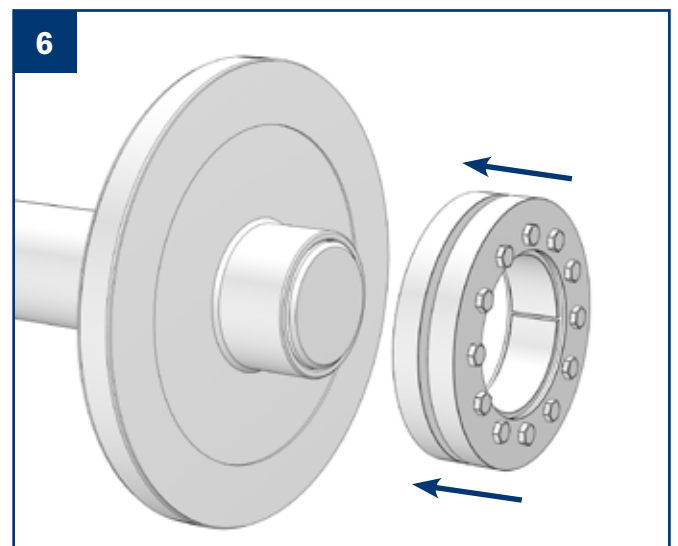
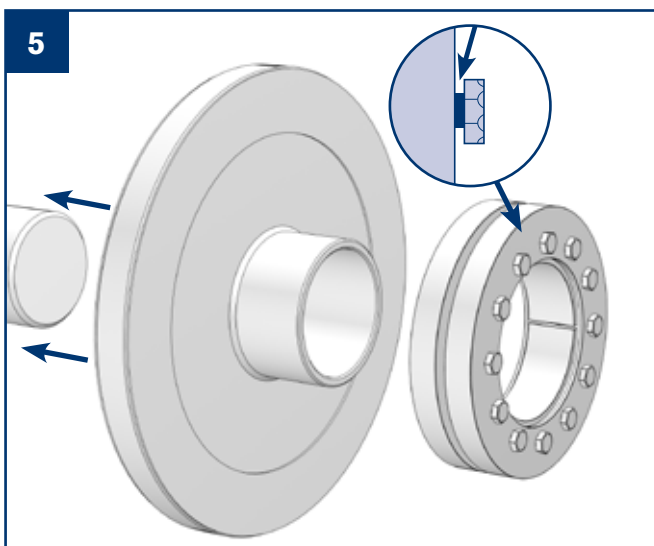
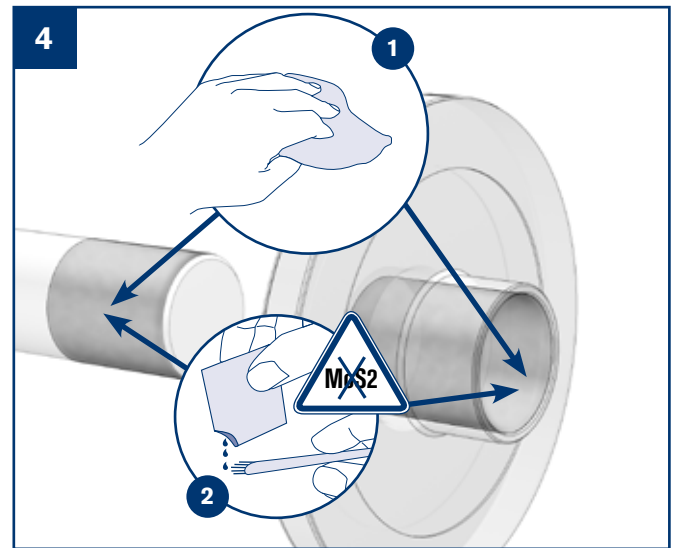
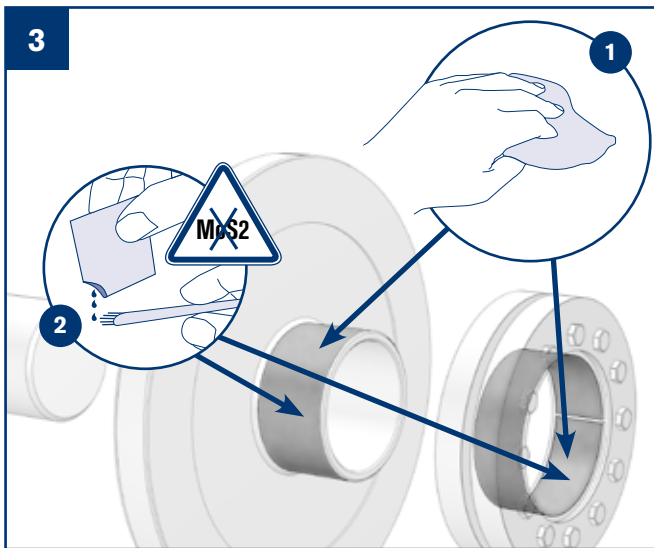
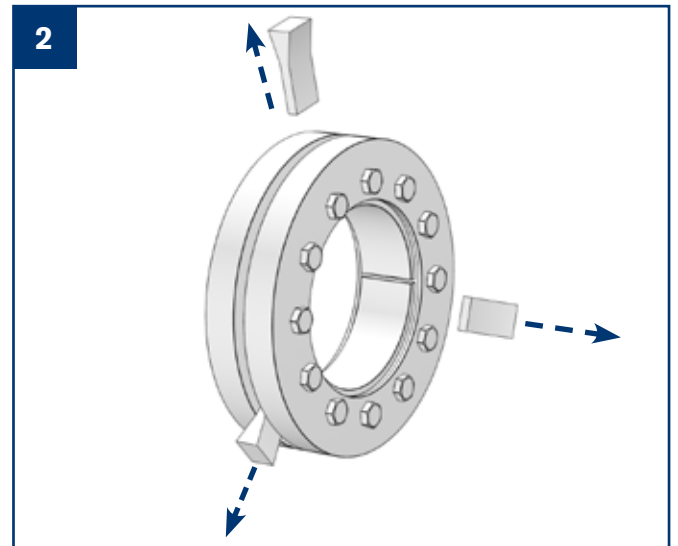
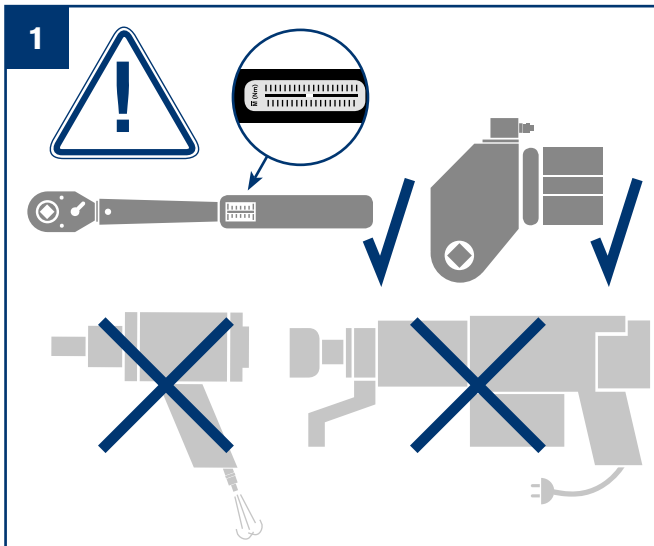


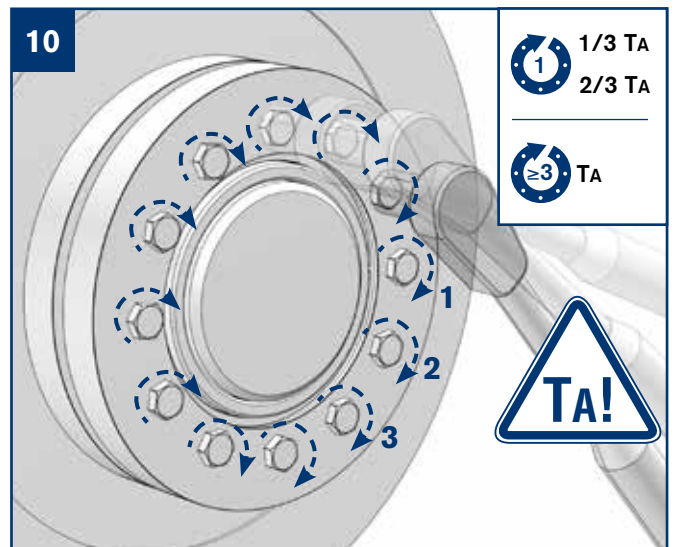
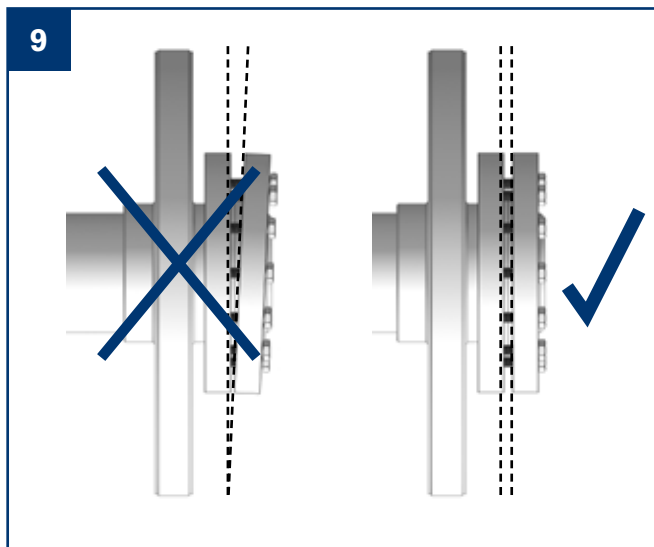
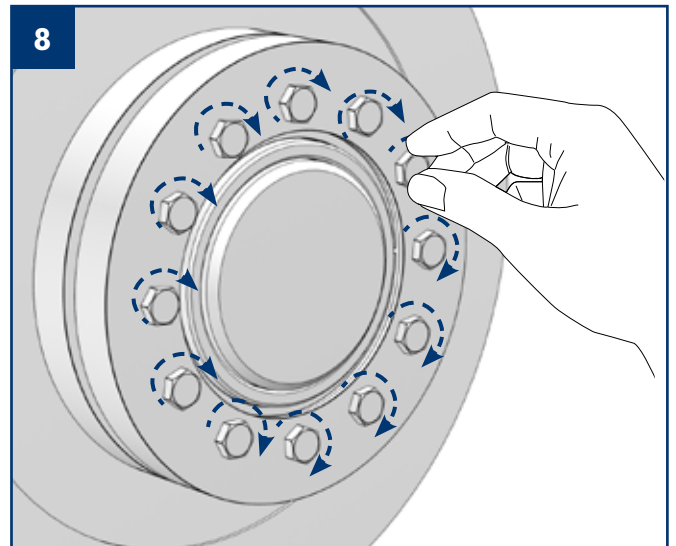
Attention! Absolutely observe!

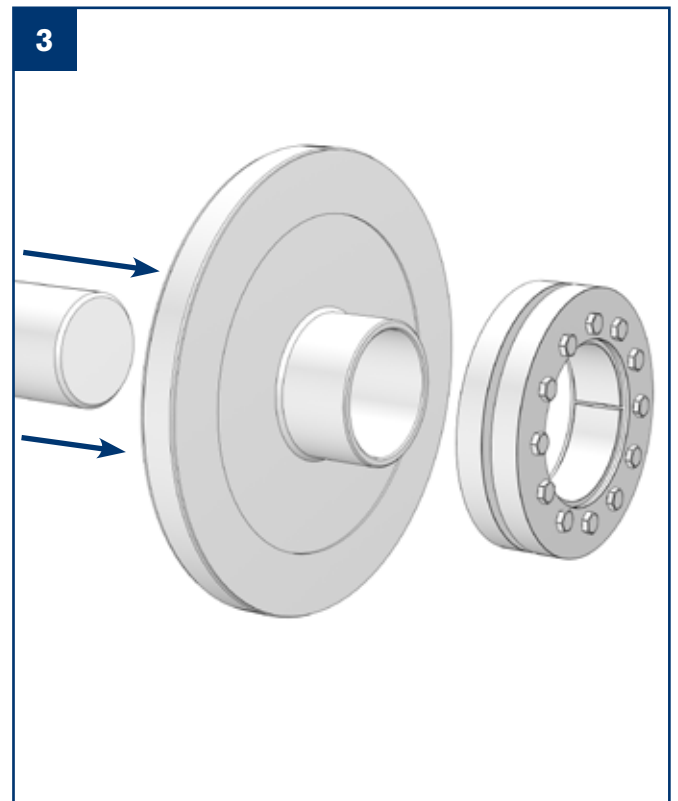
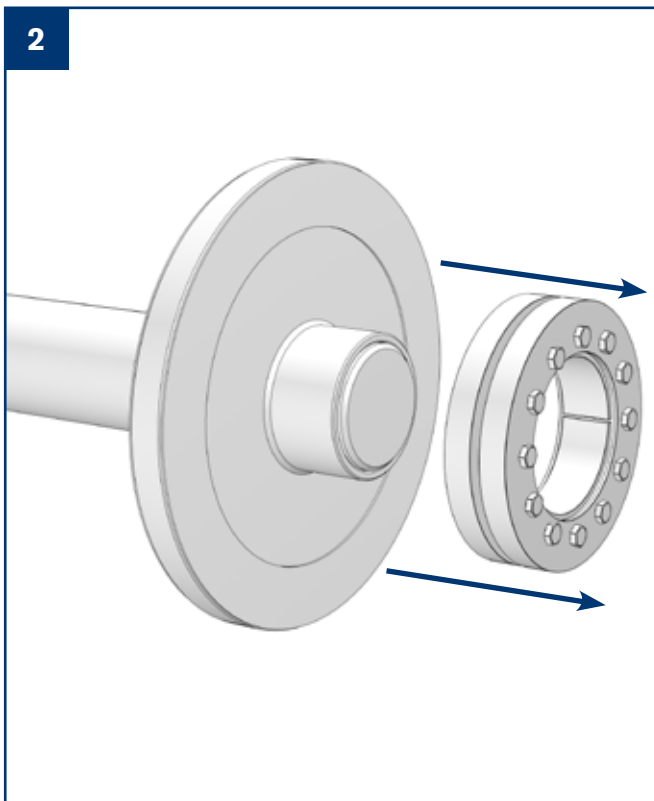
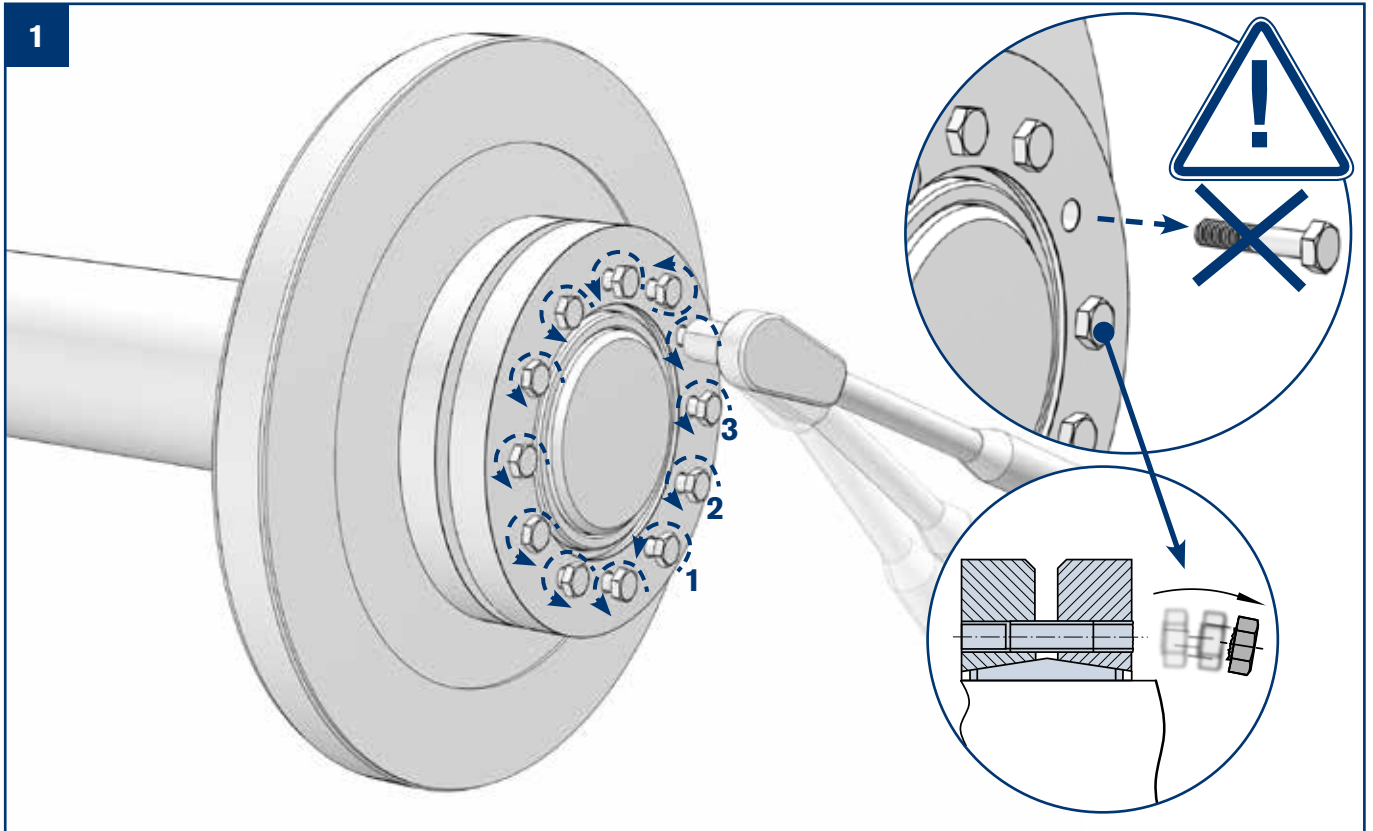


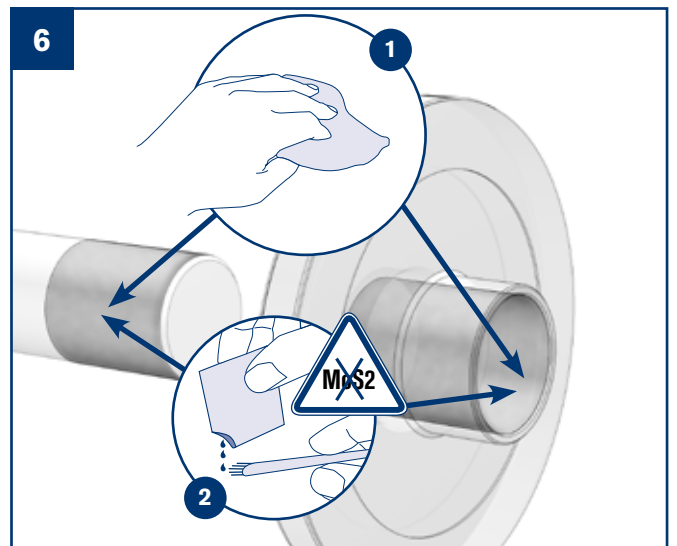
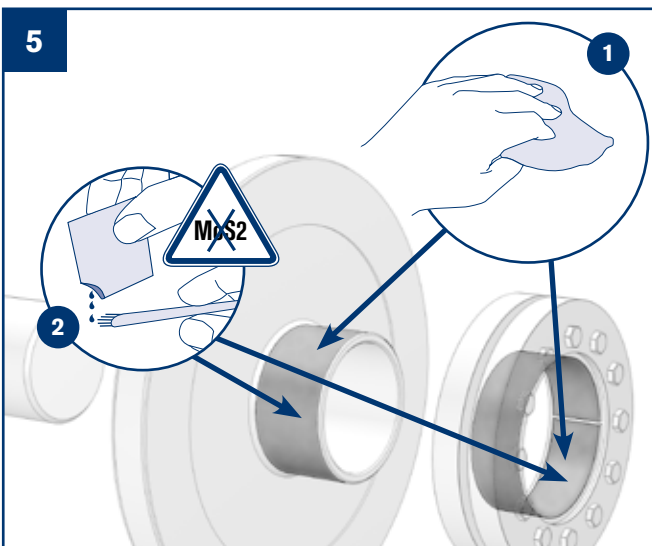
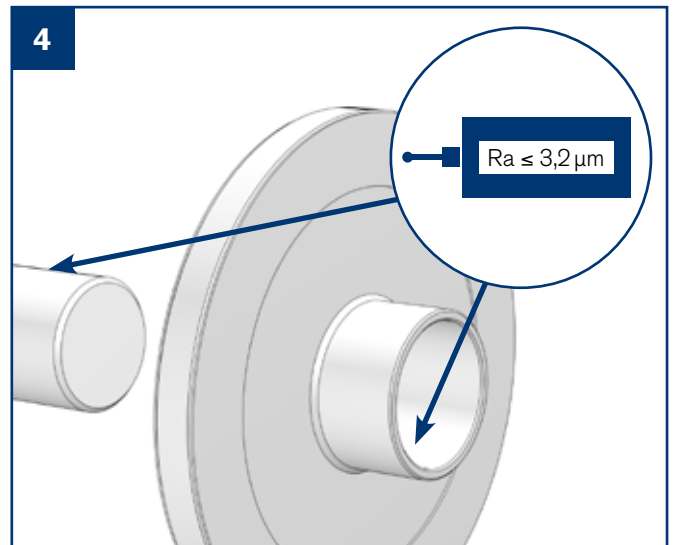
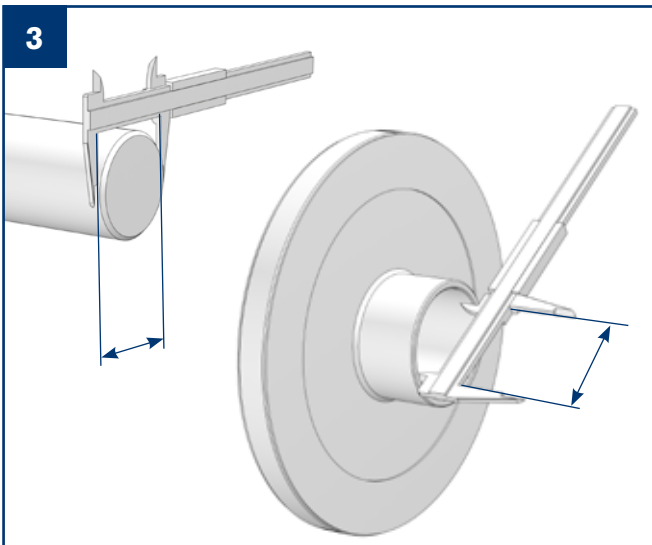
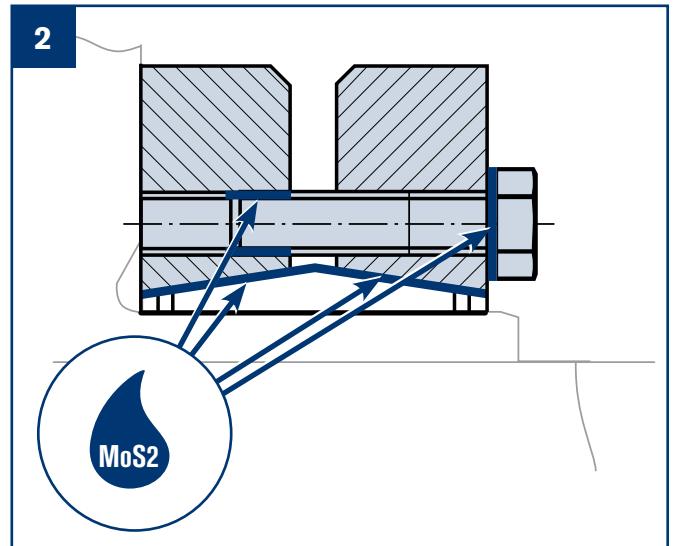
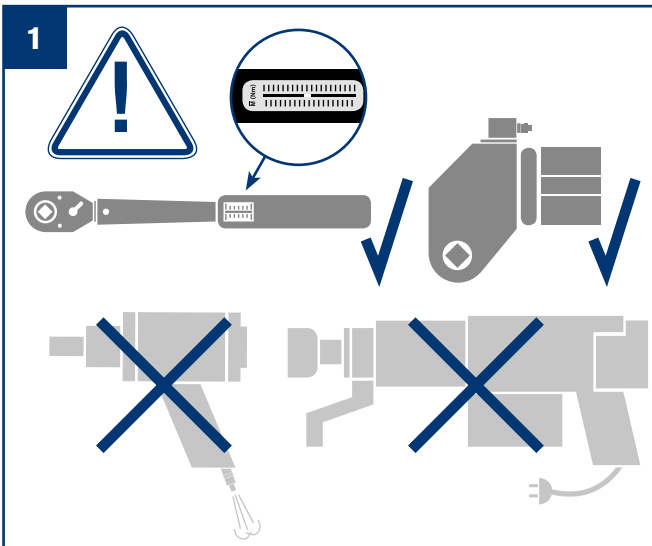
Refer to the current shrink disc catalogue for data on the required torques. Please check whether the manufacturer of the machine / plant has specified different torques.

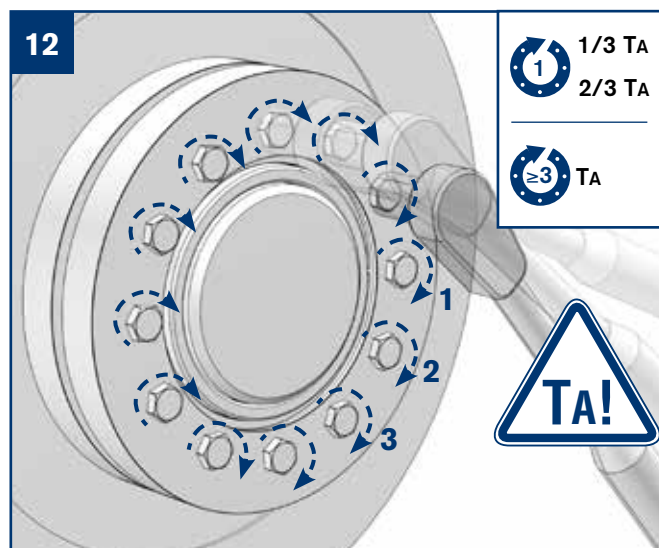
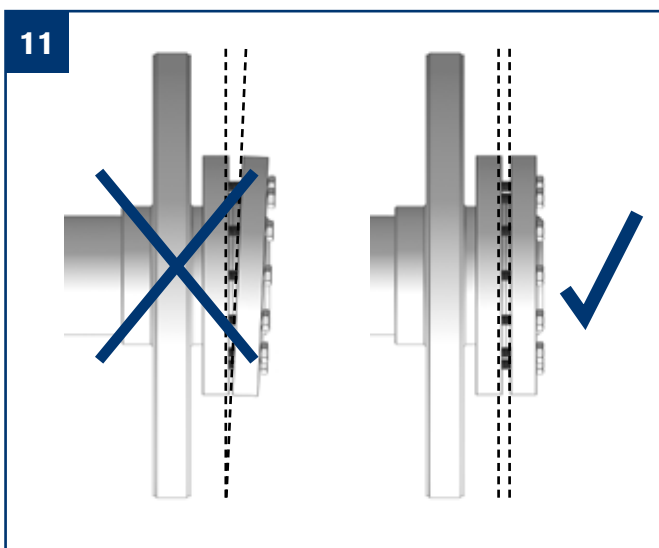
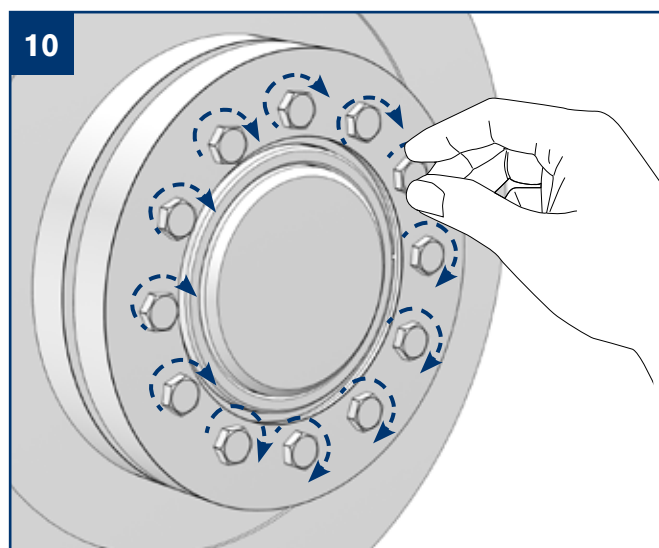
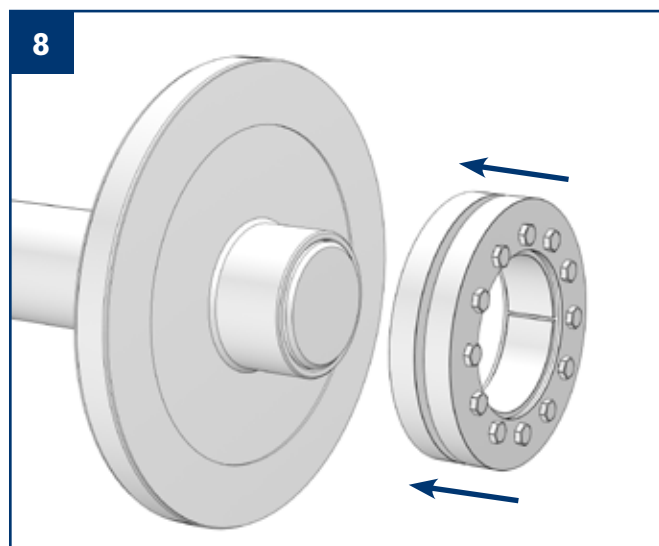
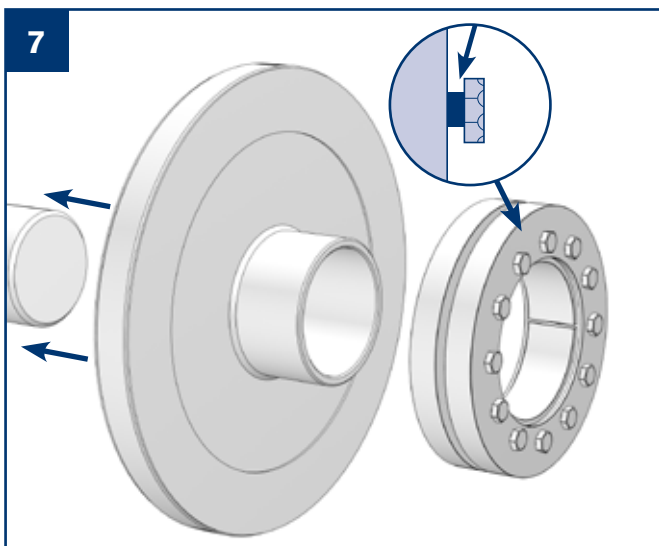












**RINGFEDER POWER TRANSMISSION GMBH**

Werner-Heisenberg-Straße 18, D-64823 Groß-Umstadt, Germany · Phone: +49 (0) 6078 9385-0 · Fax: +49 (0) 6078 9385-100  
E-mail: sales.international@ringfeder.com · E-mail: sales.international@gerwah.com

**RINGFEDER POWER TRANSMISSION TSCHAN GMBH**

Zweibrücker Strasse 104, D-66538 Neunkirchen, Germany · Phone: +49 (0) 6821 866-0 · Fax: +49 (0) 6821 866-4111  
E-mail: sales@tschan.de

**RINGFEDER POWER TRANSMISSION USA CORPORATION**

165 Carver Avenue, Westwood, NJ 07675, USA · Toll Free: +1 888 746-4333 · Phone: +1 201 666 3320  
Fax: +1 201 664 6053 · E-mail: sales.usa@ringfeder.com · E-mail: sales.usa@gerwah.com

**RINGFEDER POWER TRANSMISSION INDIA PRIVATE LIMITED**

Plot No. 4, Door No. 220, Mount - Poonamallee Road, Kattupakkam, Chennai – 600 056, India  
Phone: +91 (0) 44-2679-1411 · Fax: +91 (0) 44-2679-1422 · E-mail: sales.india@ringfeder.com · E-mail: sales.india@gerwah.com

**KUNSHAN RINGFEDER POWER TRANSMISSION COMPANY LIMITED**

German Industry Park, No. 10 Dexin Road, Zhangpu 215321, Kunshan, Jiangsu Province, P.R. China  
Phone: +86 (0) 512-5745-3960 · Fax: +86 (0) 512-5745-3961 · E-mail sales.china@ringfeder.com